

Type:

Model:

ORSON Well Light

ORDERING CODE:490171

Well light body and gimbal assembly only.

Lens covers sold separately.

SPECIFICATIONS

HOUSING:

ABS Composite.

SOCKET/LAMP HOLDER:

Stainless steel adjustable gimbal lamp holder.

LENS OPTIONS (Sold separately):

Four tempered glass cover options – brass or aluminum, flat or angled.

LAMP TYPE:

12V PAR36/AR36 lamp. IP67 rated.

20W LED maximum rated.

MOUNTING:

Reversible. Installs in-grade.

WIRING:

5' 18/2 pigtail with fork terminals.

WARRANTY:

Lifetime.



Aluminum black flat cover
490172



Brass flat cover
Architectural bronze finish
490173



Well light body and gimbal
490171



Aluminum black angled cover
490174



Brass angled cover
Architectural bronze finish
490175



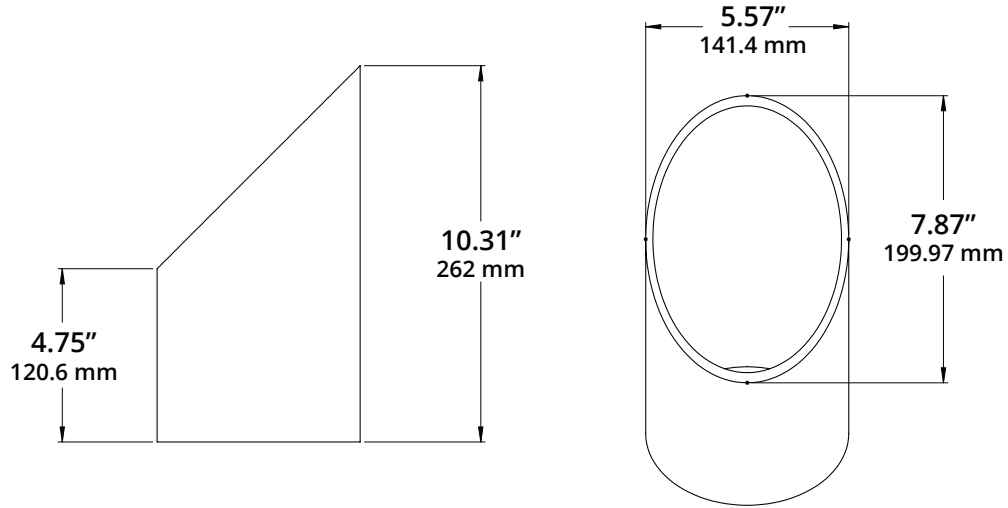
Rock guard
Brass cover
Architectural bronze finish
Drive-over rated at 4000 lbs.
490180

The ORSON well light is very versatile and can be used either on the flat side or on the angled cut side if the design requires a glare shield. The stainless steel fully adjustable lamp holder allows the installer to move and set the lamp holder up or down and/or pivot and aim the lamp with precision.

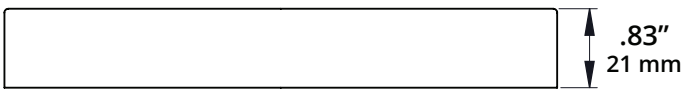


E233194

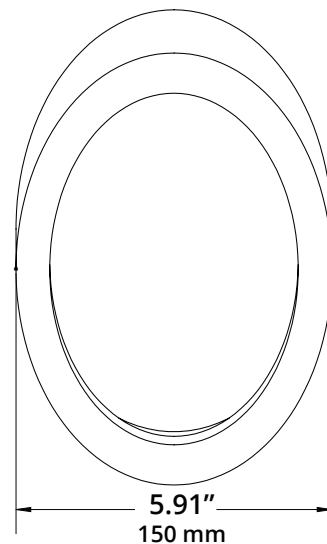
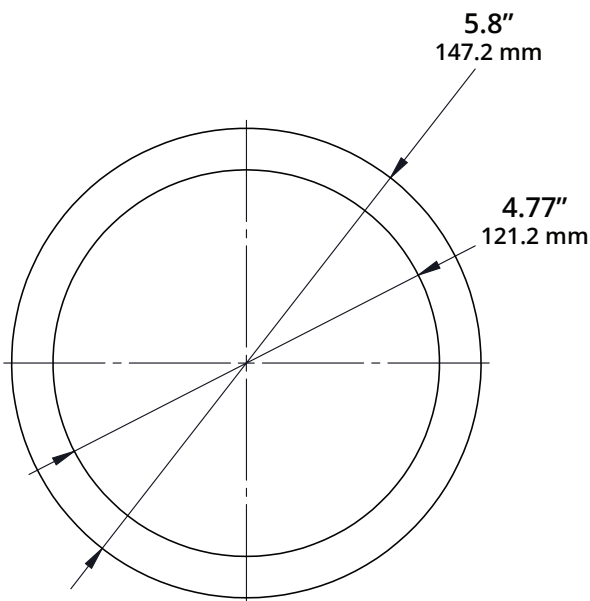
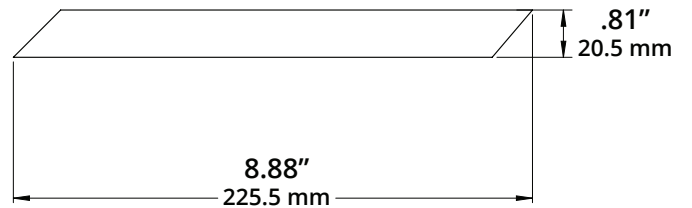
Well Light Body & Gimbal
490171



Flat Cover
490172 & 490133



Angled Cover
490174 & 490175



LED LAMP SPECIFICATIONS

LAMP TYPE:

12V PAR36/AR36 lamp. IP67 rated. 20W LED maximum rated.

OPTICS:

Integral optics providing available beam spreads of 38° and 60°.

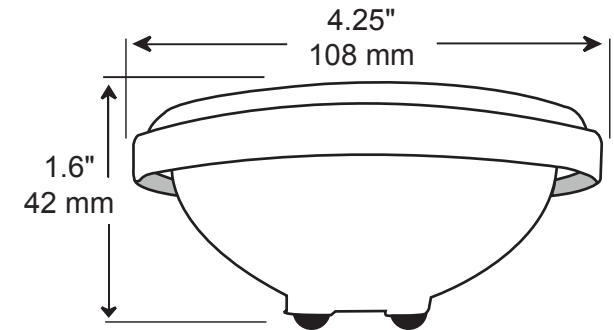
COLOR TEMPERATURES:

Color temperature options provide the following qualities: 2700K or 3000K.

FIXTURE ORDERING INFORMATION

To order a lamped fixture with mounting options, select the appropriate choice from each column as in the following example:

EXAMPLE: 490171-487242



FIXTURE	LAMP				
	ORDER NO.	WATTAGE	BEAM SPREAD	LUMENS	EFFICACY
490171	487242 LED-AR36-4W-2700K-38°	4W	38°	320	80 lm/W
	487243 LED-AR36-4W-2700K-60°	4W	60°	320	80 lm/W
	487247 LED-AR36-4W-3000K-38°	4W	38°	320	80 lm/W
	487248 LED-AR36-4W-3000K-60°	4W	60°	320	80 lm/W
	487252 LED-AR36-6W-2700K-38°	6W	38°	480	80 lm/W
	487253 LED-AR36-6W-2700K-60°	6W	60°	480	80 lm/W
	487257 LED-AR36-6W-3000K-38°	6W	38°	480	80 lm/W
	487258 LED-AR36-6W-3000K-60°	6W	60°	480	80 lm/W
	487262 LED-AR36-10W-2700K-38°	10W	38°	800	80 lm/W
	487263 LED-AR36-10W-2700K-60°	10W	60°	800	80 lm/W
	487267 LED-AR36-10W-3000K-38°	10W	38°	800	80 lm/W
	487268 LED-AR36-10W-3000K-60°	10W	60°	800	80 lm/W
	487272 LED-AR36-13W-2700K-38°	13W	38°	1040	80 lm/W
	487273 LED-AR36-13W-2700K-60°	13W	60°	1040	80 lm/W
	487277 LED-AR36-13W-3000K-38°	13W	38°	1040	80 lm/W
	487278 LED-AR36-13W-3000K-60°	13W	60°	1040	80 lm/W
	487287 LED-AR36-17W-3000K-38°	17W	38°	1360	80 lm/W
	487288 LED-AR36-17W-3000K-60°	17W	60°	1360	80 lm/W