

Type:

Model:

SENARA Marker Light with 2-Direction Shroud

ORDERING CODE:

489884-2700K

489884-3000K

SPECIFICATIONS

HOUSING:

316 marine grade stainless steel.

FINISH:

Polished stainless steel.

Custom powder-coated colors available.

LENS:

Flat tempered glass lens with shrouded top.

INTEGRATED LED:

1W. 12V. 28 lumens. 1.64 VA at 3000K. 80 CRI.

MOUNTING:

Installs in-grade. 1-9/16" opening needed to insert PVC sleeve.

PVC sleeve sold separately. Available in 12" (489889-12) and 6" (489889-6) heights.

WIRING:

Pre-wired with 5' pigtail of 18/2 cable.

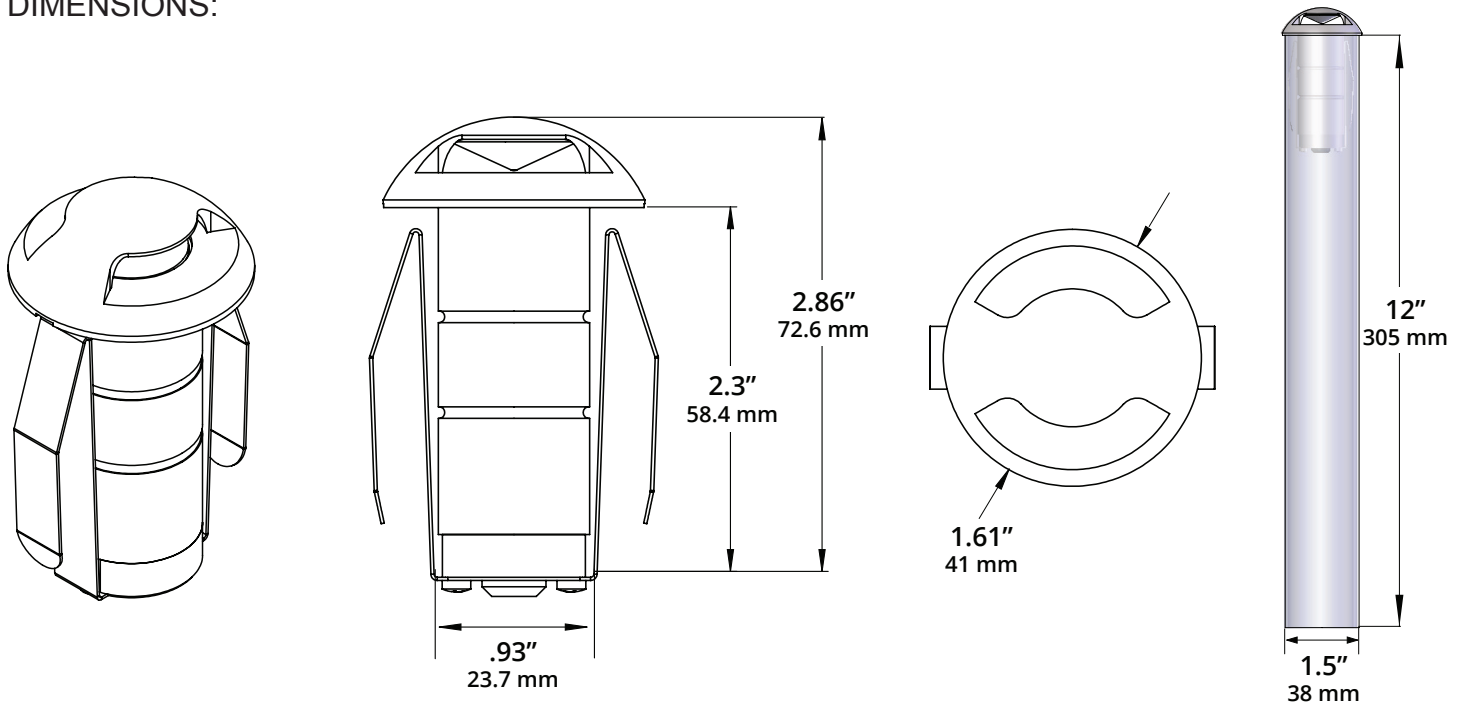
WARRANTY:

Ten years.



Drive-over rated at 4,400 lbs.

DIMENSIONS:



PVC sold separately.
Available in 12" and 6" heights.