

Type:

Model:

**RELATION INTEGRATED  
Path Light Fixture 16"**

**ORDER CODE:**  
489870-16-2700K  
489870-16-3000K

**SPECIFICATIONS**

**HOUSING:**

Cast brass

**FINISH:**

Weathered brass. Custom powder coated colors available.

**INTEGRATED LED:**

2W, 12V, 2700K and 3000K. 90° beam spread. 190lm. 90 CRI.

**LENS:**

Tempered glass.

**MOUNTING:**

Stake mount.

**WIRING:**

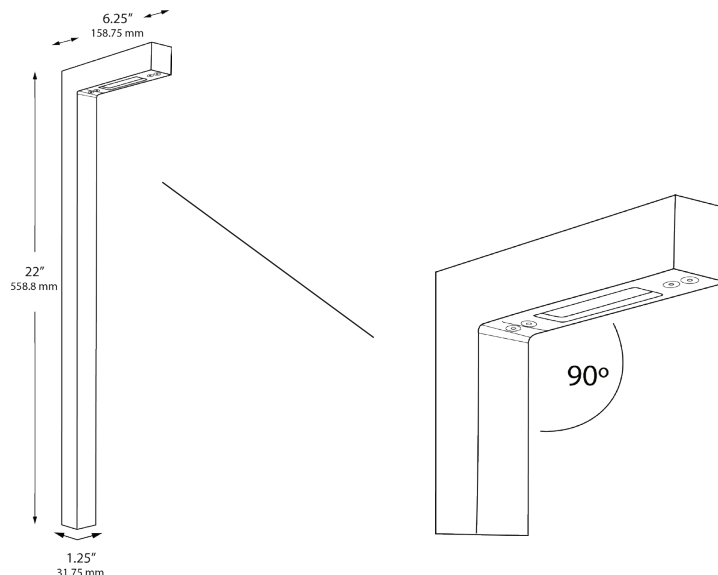
Pre-wired with 5' pigtail of 18/2 cable.

**WARRANTY:**

Ten years.



**DIMENSIONS:**



LED LAMP SPECIFICATIONS

**INTEGRATED LED:**

2W, 12V, 2700K and 3000K. 90° beam spread. 190lm. 90 CRI.

**COLOR TEMPERATURES:**

2700K or 3000K.

**FIXTURE ORDERING INFORMATION**

To order a lamped fixture with mounting options, select the appropriate choice from each column as in the following example:

EXAMPLE: 489870-16-2700K-MS



CODES	WATTAGE	VOLTS	BEAM SPREAD	COLOR TEMP	LUMENS	EFFICACY	CRI	MOUNTING
489870-16-2700K	2W	12V	90°	2700K	190lm	90lm	80	<b>MS</b> Composite stake (incl.) 490034 <b>M3</b> Trident Heavy-Duty 3-Prong Stake 490036 <b>PM</b> Round pier mount 490057 <b>MR</b> Round tapered 3-hole surface mount 490048 <b>MP</b> PVC/Brass post stake 490037
489870-16-3000K	2W	12V	90°	3000K	190lm	90lm	80	