

Type:

Model:

**RELATION INTEGRATED
Path Light Fixture 22"**

ORDER CODE:
489871-22-2700K
489871-22-3000K

SPECIFICATIONS

HOUSING:

Cast brass

FINISH:

Weathered brass. Custom powder coated colors available.

INTEGRATED LED:

3.5W, 12V, 2700K and 3000K. 90° beam spread. 300lm. 80 CRI.

LENS:

Tempered glass.

MOUNTING:

Stake mount.

WIRING:

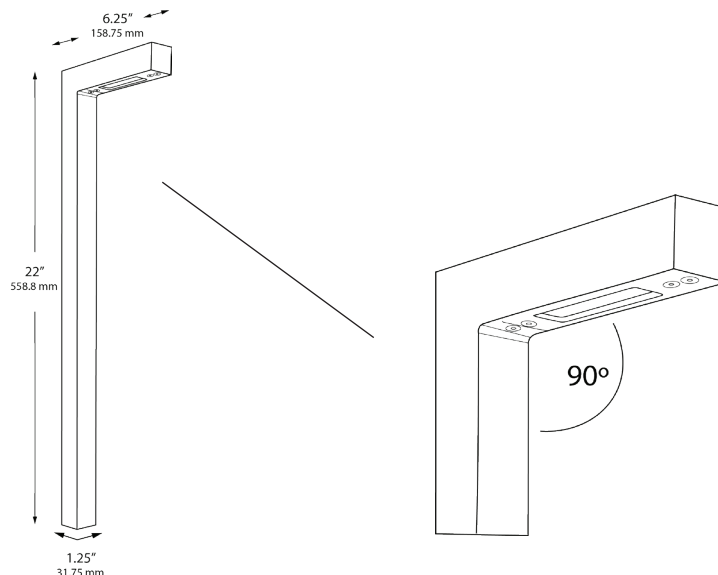
Pre-wired with 5' pigtail of 18/2 cable.

WARRANTY:

Ten years.



DIMENSIONS:



LED LAMP SPECIFICATIONS

INTEGRATED LED:

3.5W, 12V, 2700K and 3000K. 90° beam spread. 300lm. 80 CRI.

COLOR TEMPERATURES:

2700K or 3000K.

FIXTURE ORDERING INFORMATION

To order a lamped fixture with mounting options, select the appropriate choice from each column as in the following example:

EXAMPLE: 489871-22-2700K-MS



CODES	WATTAGE	VOLTS	BEAM SPREAD	COLOR TEMP	LUMENS	EFFICACY	CRI	MOUNTING
489871-22-2700K	3.5W	12V	90°	2700K	300lm	85lm	80	MS Composite stake (incl.) 490034 M3 Trident Heavy-Duty 3-Prong Stake 490036 PM Round pier mount 490057 MR Round tapered 3-hole surface mount 490048 MP PVC/Brass post stake 490037
489871-22-3000K	3.5W	12V	90°	3000K	300lm	85lm	80	