



Tunable Power & CCT:
60W

Fixed Power & CCT:
30W | 45W | 60W | 90W

PRODUCT OVERVIEW

Featuring parking garage light distribution in a modern design, the DCP03 Circular Canopy Light is ideal for providing illumination for locations where visibility is important for security purposes. An optional center-mounted, integrated motion sensor is available for additional energy savings. The 60W model comes in a Power & CCT Tunable option.



KEY FEATURES

CONSTRUCTION:

- Rugged die-cast aluminum housing with integral heat sink fins.
- Housing has direct contact with the driver to help maintain low temperature and long lifespan and is
- Housing is completely sealed against moisture and environmental contaminants.

FINISH:

- The exterior is protected by a rust-resistant powder coat finish that provides superior resistance to weathering and corrosion.

OPTICS:

- Parking garage light distribution.
- Light engines are available in standard 4000K and 5000K configurations.
- A range of lumen options available from 4,000 to 12,300 Lumens, replaces up to 250W metal halide.
- Impact and UV-resistant polycarbonate lens is precisely designed to give a specific light distribution, maximizing efficiency and application spacing.

INSTALLATION:

- Surface mount or pendant mount options are available.
- Quick-mount bracket eliminates the need to open luminaire for installation.

LIFESPAN:

- 5 Year Limited Warranty.

ELECTRICAL:

- Universal 120-277V input voltage.
- 0-10V dimming driver(s) standard. Dimming wires are capped and are not accessible from the exterior. On the 60W Power & CCT Tunable model, dimming wires are connected to the power & CCT adjustment controls. When using an emergency battery backup, dimming wires are connected to the emergency LED driver. Dimming can only be used with optional motion sensor.
- THD: ≤20%, Power Factor: ≥90%.

CONTROLS:

- Power & CCT adjustment controls optional on 60W.
- Optional center-mounted, integrated multi-level motion sensor - BRI823.
- Optional emergency battery backup provides up to 90 minutes of operation during outages.
- Optional motion sensor remote control - while not mandatory for programming the motion sensor, you avoid having to remove the fixture lens for programming, can program multiple sensors with ease, and can program the sensor after the fixture is installed.

LISTINGS:

- DesignLights Consortium® (DLC) Premium qualified.
- UL listed for wet locations.
- Rated for ambient operating temperature -40°F to 113°F (-40°C to 45°C).

PERFORMANCE DATA

Fixed Power & CCT Model Lumen Output

System Watts	Voltage	Photometry	4000K(70CRI)		5000K(70CRI)	
			Lumens	Efficacy	Lumens	Efficacy
30W	120-277V	Parking Garage	---	---	4000lm	133lm/W
45W	120-277V	Parking Garage	---	---	5700lm	127lm/W
60W	120-277V	Parking Garage	7500lm	125lm/W	7500lm	125lm/W
90W	120-277V	Parking Garage	12300m	137lm/W	12300m	137lm/W

Power & CCT Tunable Model Lumen Output

Setting	System Watts	Lumens (4000K)	Efficacy (4000K)	Lumens (5000K)	Efficacy (5000K)
100%	60W	7700lm	128lm/W	7700lm	128lm/W
80%	46W	6500lm	141lm/W	6300lm	137lm/W
60%	34W	5000lm	147lm/W	4900lm	134lm/W
40%	22W	3600lm	164lm/W	3500lm	159lm/W

NOTE: System watts indicated in table are based on tested values and may slightly vary.

Fixed Power & CCT Model Electrical Data

Number of Drivers	Driver Current (mA)	Nominal Power (W)	Input Voltage (V)	Current (Amps)
1	760	30	120	0.25
		30	208	0.14
		30	240	0.13
		30	277	0.11
1	1100	45	120	0.38
		45	208	0.22
		45	240	0.19
		45	277	0.16
1	1500	60	120	0.50
		60	208	0.29
		60	240	0.25
		60	277	0.22
1	2270	90	120	0.75
		90	208	0.43
		90	240	0.38
		90	277	0.32

Power & CCT Tunable Model Electrical Data

Number of Drivers	Driver Current (mA)	Nominal Power (W)	Input Voltage (V)	Current (Amps)
1	1050	60	120	0.50
		60	208	0.29
		60	240	0.25
		60	277	0.22

ACCESSORIES



MULTI-LEVEL MOTION SENSOR

Integrated multi-level motion sensor detects occupancy in an area for additional energy savings.



MOTION SENSOR REMOTE CONTROL

Optional remote control programs the motion sensor with advanced lighting control options.



EMERGENCY BATTERY BACKUP

External emergency battery backup provides up to 90 minutes of operation during power outages.

MOUNTING OPTIONS



QUICK MOUNT PLATE

Allows straightforward J-Box mounting without the need to open the fixture for installation.

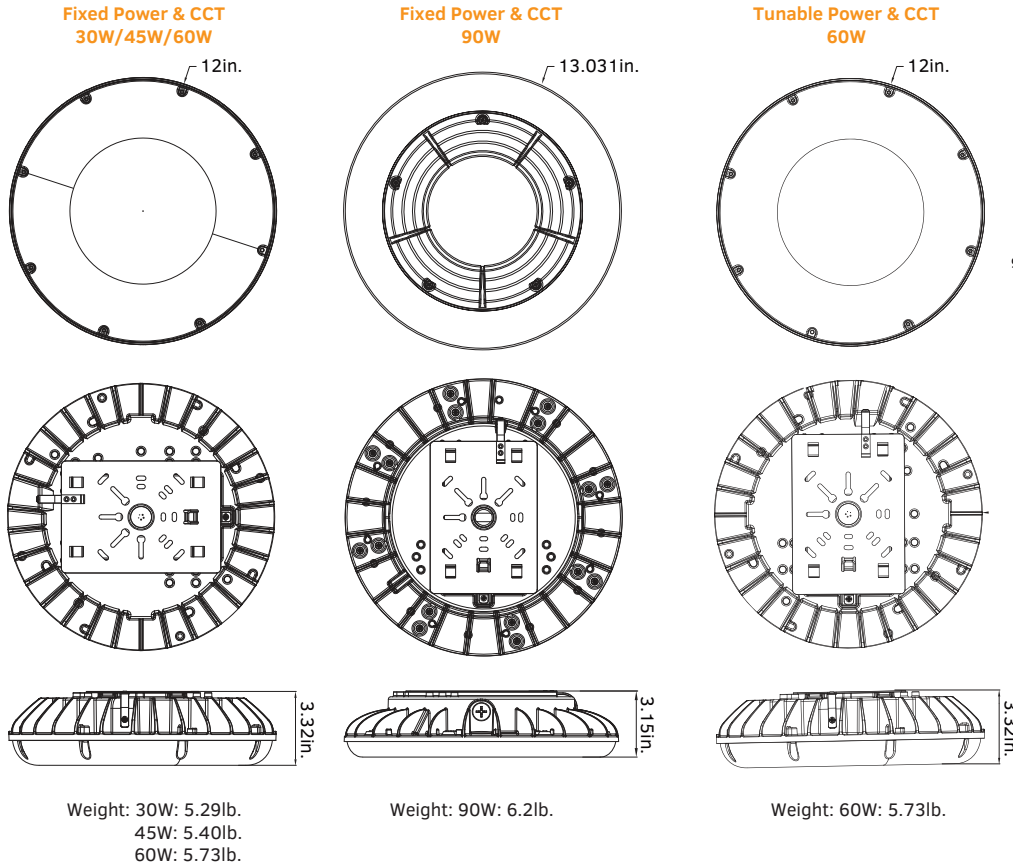


PENDANT MOUNT

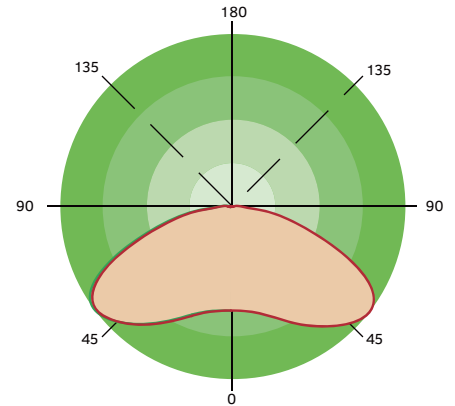
A 3/4" conduit entry point ensures easy pendant installation.

DIMENSIONS & WEIGHT

LIGHT DISTRIBUTION



Parking Garage Pattern



ORDERING INFORMATION

Circular Canopy Light Series DCP03							Example: DCP0360W27V50KWMDPG		
Fixture Type	Wattage	Voltage	CCT	Finish	Sensor (Option)	Dimmable	Light Distribution	Emergency Battery (Option)	
<input type="checkbox"/>	<input type="checkbox"/>	<input type="checkbox"/>	<input type="checkbox"/>	<input type="checkbox"/>	<input type="checkbox"/>	<input type="checkbox"/>	<input type="checkbox"/>	<input type="checkbox"/>	
DCP03	30W	27V 120-277V	40K 4000K	W White	M With 120-277V Sensor	D 1-10V Dimmable*	PG Parking Garage	B Emergency Battery	
	45W		50K 5000K		Blank Without Sensor			Blank Without Battery	
	60W	27V 120-277V	50K 5000K						
	90W								
	60W	27V 120-277V	DDK Power & CCT Tunable						

*Dimming can only be used with optional motion sensor.