



PRODUCT OVERVIEW

The traditional style of the cost-effective DCP05 Square Canopy Light is designed to harmonize with current building aesthetics. Providing years of maintenance-free general illumination for outdoor applications, it is ideal for entrances, parking garages, covered walkways and loading docks.



KEY FEATURES

CONSTRUCTION:

- Rugged die-cast aluminum housing with integral heat sink fins.
- Housing has direct contact with the driver to help maintain low temperature and long lifespan.
- Housing is completely sealed against moisture and environmental contaminants.

FINISH:

- The exterior is protected by a rust-resistant powder coat finish that provides superior resistance to weathering and corrosion.

OPTICS:

- Parking garage light distribution.
- Light engines are available in standard 4000K and 5000K configurations.
- A range of lumen options available from 3,785 to 8,061 Lumens, replaces up to 250W metal halide.
- Impact and UV-resistant polycarbonate lens is precisely designed to give a specific light distribution, maximizing efficiency and application spacing.

ELECTRICAL:

- Universal 120-277V input voltage.
- 1-10V dimming driver(s) standard.
- THD: ≤20%, Power Factor: ≥90%.

CONTROLS:

- Optional multi-level motion sensor - BRI819.
- Optional emergency battery backup provides up to 90 minutes of operation during outages.

INSTALLATION:

- Surface mount or pendant mount options are included.
- Included quick-mount bracket eliminates the need to open luminaire for installation.

WARRANTY:

- 5 Year Limited Warranty.

LISTINGS:

- DesignLights Consortium® (DLC) Premium 5.1 qualified.
- UL listed for wet locations.
- Rated for ambient operating temperature -40°F to 104°F (-40°C to 40°C).

PERFORMANCE DATA

Lumen Output

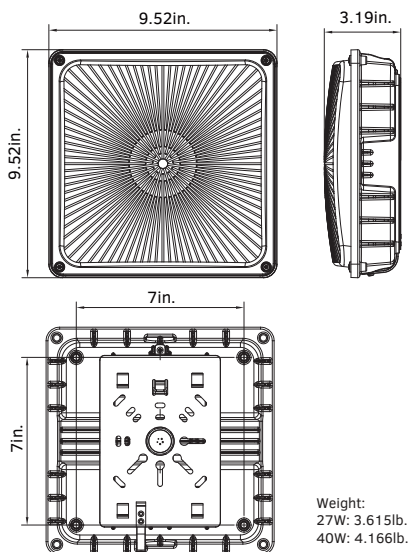
System Watts	Voltage	Photometry	4000K(70CRI)		5000K(70CRI)	
			Lumens	Efficacy	Lumens	Efficacy
27W	120-277V	Parking Garage	3750lm	139lm/W	3800lm	141lm/W
40W	120-277V	Parking Garage	5350lm	134lm/W	5450lm	136lm/W
60W	120-277V	Parking Garage	7800lm	130lm/W	8000lm	133lm/W

Electrical Data

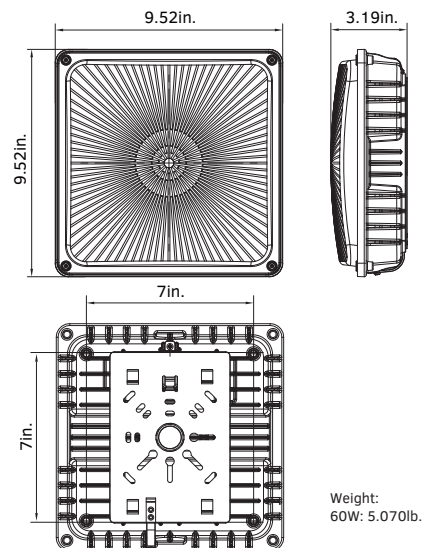
Number Of Drivers	Driver Current (mA)	Nominal Power (W)	Input Voltage (V)	Current (Amps)
1	670	27	120	0.23
		27	208	0.13
		27	240	0.11
		27	277	0.10
1	980	40	120	0.33
		40	208	0.19
		40	240	0.17
		40	277	0.14
	1020	40	347	0.12
		40	480	0.08
1	1500	60	120	0.50
		60	208	0.29
		60	240	0.25
		60	277	0.22
	1600	60	347	0.17
		60	480	0.13

DIMENSIONS & WEIGHT

27W/40W



60W



ACCESSORIES



MULTI-LEVEL MOTION SENSOR
External multi-level motion sensor detects occupancy in an area for additional energy savings.



EMERGENCY BATTERY BACKUP
External emergency battery backup provides up to 90 minutes of operation during power outages.

MOUNTING OPTIONS



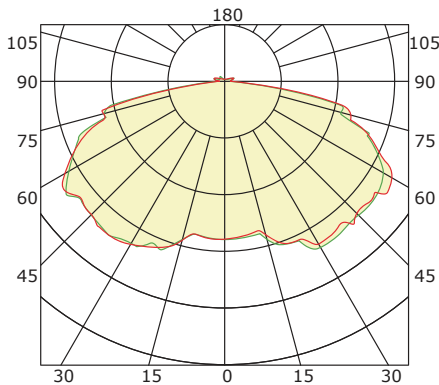
QUICK MOUNT PLATE
Allows straightforward J-Box mounting without the need to open the fixture for installation.



PENDANT MOUNT
A 3/4" conduit entry point ensures easy pendant installation.

LIGHT DISTRIBUTION

Parking Garage Pattern



ORDERING INFO

Square Canopy Light Series DCP05

Example: DCP0560W27V50KDMDDB

Fixture Type	Wattage	Voltage	CCT	Finish	Sensor (Optional)	Dimmable (Optional)	Emergency Battery
<input type="checkbox"/>	<input type="checkbox"/>	<input type="checkbox"/>	<input type="checkbox"/>	<input type="checkbox"/>	<input type="checkbox"/>	<input type="checkbox"/>	<input type="checkbox"/>
DCP05	27W 40W 60W	27V 120-277V	40K 4000K 50K 5000K	D Dark Bronze	M With 120-277V Sensor Blank Without Sensor	D 1-10V Dimmable	B Emergency Battery Blank No Battery

Note: Not all product variations listed on this page are DLC qualified. Visit www.designlights.org to confirm qualification.