



## PRODUCT OVERVIEW

The DFD03 Mini LED Flood Light is designed for energy-efficient small area floodlighting solutions. A trunnion mount or an adjustable knuckle mount provides mounting flexibility. This powerful LED luminaire is the perfect choice for many applications, including walkways, landscape, facade, or small area illumination.



## KEY FEATURES

### CONSTRUCTION:

- Rugged single-piece, die-cast aluminum housing with integral heat sink fins.
- Housing has direct contact with the driver to help maintain low temperature and long lifespan.
- Housing is completely sealed against moisture and environmental contaminants.

### FINISH:

- The exterior is protected by a rust-resistant powder coat finish that provides superior resistance to weathering and corrosion.

### OPTICS:

- Standard NEMA 7Hx7V light dispersion.
- Light engines are available in standard 3000K, 4000K, and 5000K configurations (45W 3000K and 4000K are special order only).
- A range of lumen options available from 1,500 to 5,400 Lumens, replaces up to 150W metal halide.
- Impact and UV-resistant polycarbonate lens is precisely designed to give a specific light distribution, maximizing efficiency and application spacing.

### ELECTRICAL:

- Universal 120-277V input voltage.
- THD:  $\leq 20\%$ , Power Factor:  $\geq 90\%$ .

### INSTALLATION:

- Knuckle mount or trunnion mount options are available.
- Optional composite ABS plastic ground stake with universal 1/2" NPT thread for easy in-ground installation.

### WARRANTY:

- 5 Year Limited Warranty

### LISTINGS:

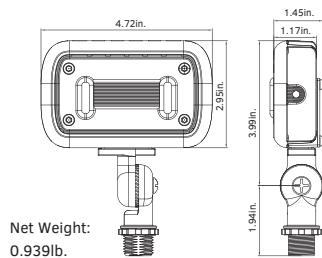
- UL listed for wet locations.
- Rated for ambient operating temperature  $-40^{\circ}\text{F}$  to  $113^{\circ}\text{F}$  ( $-40^{\circ}\text{C}$  to  $45^{\circ}\text{C}$ ).

PERFORMANCE DATA

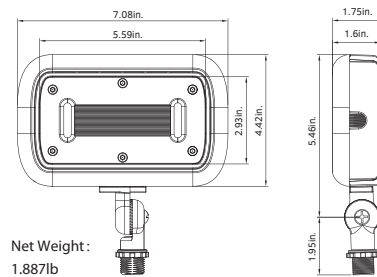
Lumen Output							
System Watts	Voltage	3000K(70CRI)		4000K(70CRI)		5000K(70CRI)	
		Lumens	Efficacy	Lumens	Efficacy	Lumens	Efficacy
15W	120-277V	1500lm	100lm/W	1500lm	100lm/W	1500lm	100lm/W
30W	120-277V	3000m	95lm/W	3000lm	100lm/W	3000lm	100lm/W
45W	120-277V	5400lm	120lm/W	5400lm	120lm/W	5400lm	120lm/W

DIMENSIONS & WEIGHT

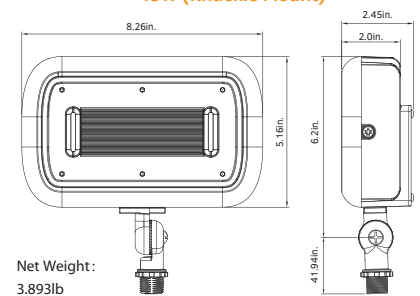
15W (Knuckle Mount)



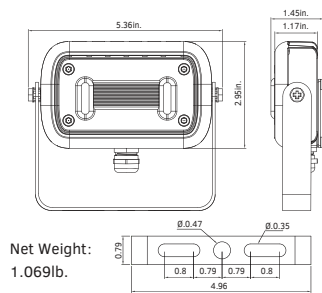
30W (Knuckle Mount)



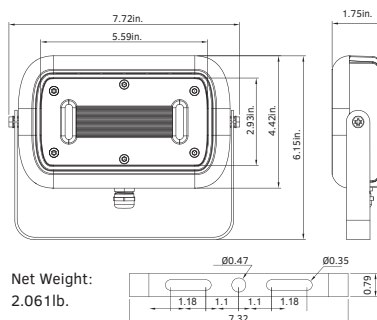
45W (Knuckle Mount)



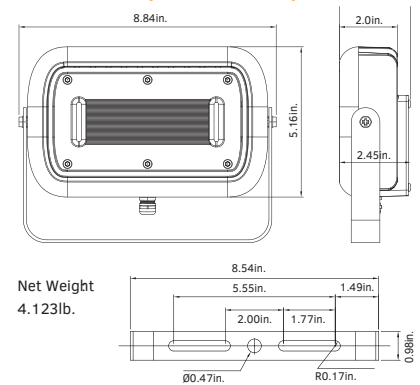
15W (Trunnion Mount)



30W (Trunnion Mount)

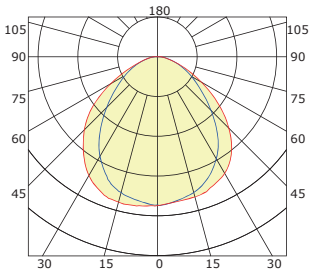


45W (Trunnion Mount)

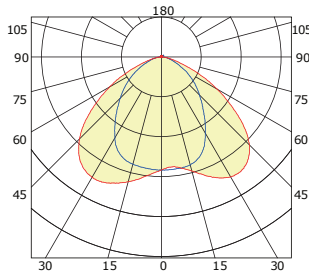


## LIGHT DISTRIBUTION

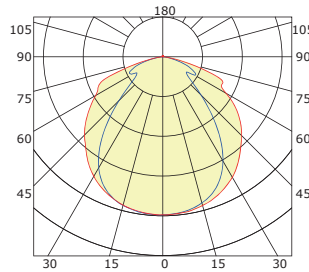
15W



30W



45W



## ORDERING INFORMATION

Mini Flood Light Series DFDD03				Example: DFD15W27V50KBDB77		
Fixture Type	Wattage	Voltage	CCT	Finish	Beam Angle (NEMA)	Mounting
<input type="text"/>	<input type="text"/>	<input type="text"/>	<input type="text"/>	<input type="text"/>	<input type="text"/>	<input type="text"/>
<b>DFD</b>	15W 30W 45W	27V 120-277V	30K 3000K 40K 4000K 50K 5000K	<b>D</b> Dark Bronze <b>B</b> Black <b>W</b> White	<b>B77</b> 7Hx7V	<b>KN</b> Knuckle Mount <b>TR</b> Trunnion Mount

Note: 45W 3000K and 4000K configurations are special order only.