



## PRODUCT OVERVIEW

Designed with a narrow beam angle of 20° or 44°, the DAUER DFR01 Spotlight is ideal for many commercial and residential outdoor applications, such as flagpoles and landscaping. It features a protective, rust-resistant powder coat finish and a tempered, shatter-resistant glass lens, ensuring the unit's longevity. A versatile knuckle mount enables precise aiming of the fixture.



## KEY FEATURES

### CONSTRUCTION:

- Rugged die-cast aluminum housing.
- Tempered shatter-resistant glass lens.
- Housing is completely sealed against moisture and environmental contaminants.

### FINISH:

- The exterior is protected by a rust-resistant powder coat finish that provides superior resistance to weathering and corrosion.

### OPTICS:

- Narrow 20° or 44° beam angle to meet the demand for long-distance and circular lighting.
- Light engines are available in standard 4000K and 5000K configurations.
- A range of lumen options available from 2,400 to 3,350 Lumens, replaces up to 100W metal halide.

### ELECTRICAL:

- Standard 120-277V input voltage.
- THD: ≤20%, Power Factor: ≥90%.

### INSTALLATION:

- Versatile knuckle mount enables precise aiming of fixture.

### WARRANTY:

- 5 Year Limited Warranty.

### LISTINGS:

- UL listed for wet locations.
- Rated for ambient operating temperature -40°F to 113°F (-40°C to 45°C).

## PERFORMANCE DATA

### Lumen Output

System Watts	Voltage	Beam Angle	4000K(70CRI)		5000K(70CRI)	
			Lumens	Efficacy	Lumens	Efficacy
20W	120-277V	20°	2400lm	120lm/W	2500lm	125lm/W
20W	120-277V	44°	2400lm	120lm/W	2500lm	125lm/W
30W	120-277V	20°	3350lm	112lm/W	3350lm	112lm/W
30W	120-277V	44°	3230lm	118lm/W	3350lm	112lm/W

### Electrical Data

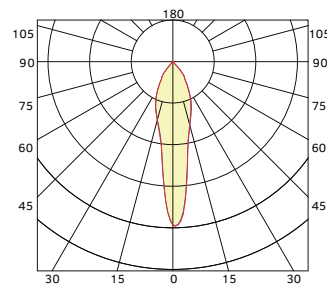
Number of Drivers	Driver Current (mA)	Nominal Power (W)	Input Voltage (V)	Current (Amps)
1	500	20	120	0.17
		20	208	0.10
		20	240	0.08
		20	277	0.07
1	750	30	120	0.25
		30	208	0.14
		30	240	0.13
		30	277	0.11

## BEAM ANGLES & LIGHT DISTRIBUTION



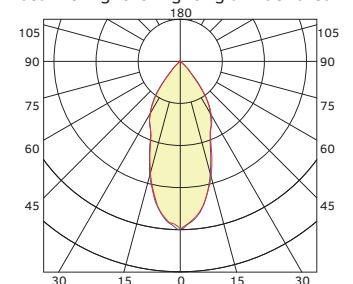
### 20° BEAM ANGLE

This lens produces a narrow beam of light for circular lighting applications.

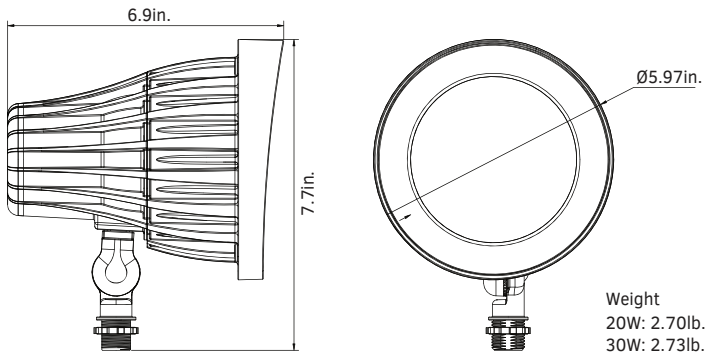


### 44° BEAM ANGLE

This lens produces a more diffused beam of light for lighting a wider area.



## DIMENSIONS & WEIGHT



## ORDERING INFORMATION

Spotlight Series DFR01				Example: DFR30W27V50KBDSFL		
Fixture Type	Wattage	Voltage	CCT	CRI	Finish	Beam Angle
DFR	20W 30W	27V 120-277V	40K 4000K 50K 5000K	B >70	D Dark Bronze SG Silver Gray W White B Black	SFL 20° Beam Angle NFL 44° Beam Angle