



Tunable Power & CCT:
97W | 215W
Fixed Power & CCT:
67W | 140W | 180W | 215W

PRODUCT OVERVIEW

Series DHB06 Circular High Bays are an ideal light source for energy-efficient illumination in large commercial and industrial spaces. An optional center-mounted motion sensor provides more energy savings.



KEY FEATURES

CONSTRUCTION:

- Rugged single-piece aluminum housing with integral heat sink fins.
- Housing is completely sealed against moisture and environmental contaminants.

FINISH:

- The exterior is protected by a black rust-resistant polyester powder coat finish that provides superior resistance to weathering and corrosion.

OPTICS:

- Light engines are available in standard 4000K and 5000K configurations, and in 80 CRI (fixed power & CCT models) or 70 CRI (tunable power & CCT models).
- A range of lumen options available from 9,100 to 30,500 Lumens, replaces up to 400W metal halide.
- Impact and UV-resistant polycarbonate lens is precisely designed to give a specific light distribution, maximizing efficiency and application spacing.

ELECTRICAL:

- Standard 120-277V input voltage, optional 347-480V input voltage (140W only).
- Standard 6KV surge protection.
- 1-10V dimming driver(s) as default on 67W, 140W, 180W, and fixed power & CCT 215W.
- 0-10V dimming driver(s) as default on 97W and power & CCT tunable 215W.
- Dimming wires are located internally on 67W, 97W, and 140W models, and externally on 180W and 215W models.
- THD: ≤20%, Power Factor: ≥90%.

CONTROLS:

- Power & CCT adjustment controls included with 97W and available for 215W.
- Optional center-mounted, integrated multi-level motion sensor - BRI823, ANT-6-4T (215W Tunable), US002-01VR-1 (97W Tunable Special Order).
- Optional emergency battery backup provides up to 90 minutes of operation during outages. 180W and 215W require conduit adaptor to use battery backup.
- Bluetooth networked controls that are DLC NLC qualified, utilizing a Bluetooth SIG mesh network operated with IOS and web, optional for all models except 97W Power & CCT Tunable.

INSTALLATION:

- Pendant mount or hook mount options are available. Optional conduit adaptor required for pendant mounting 180W and 215W.
- Optional Adjustable Surface Mounting Bracket allows precise aiming of the fixture to 0°, 30°, 60°, 90°, 120°, 150°, or 180° - not available for 180W or 215W.

WARRANTY:

- 5 Year Limited Warranty.

LISTINGS:

- DesignLights Consortium® (DLC) qualified.
- UL Wet Location Listed.
- Rated for operating temperature -40°F to 122°F (-40°C to 50°C).

PERFORMANCE DATA

Lumen Output - 67W, 140W, 180W, 215W Fixed Power & CCT

System Watts	Voltage	Photometry	4000K(80CRI)		5000K(80CRI)	
			Lumens	Efficacy	Lumens	Efficacy
67W	120-277V	General High Bay	9100lm	136lm/W	9100lm	136lm/W
140W	120-277V/347-380V	General High Bay	17500lm	125lm/W	17500lm	125lm/W
180W	120-277V	General High Bay	25000lm	139lm/W	25000lm	139lm/W
215W	120-277V	General High Bay	30000lm	140lm/W	30000lm	140lm/W

Lumen Output - 97W, 215W Tunable Power & CCT

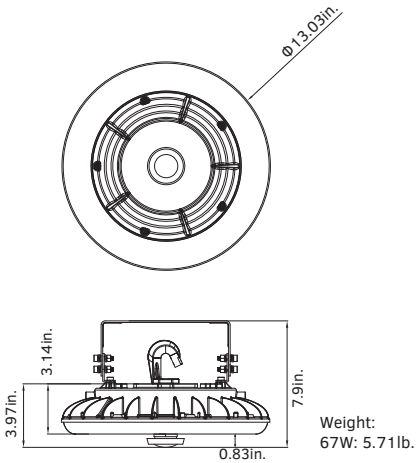
Setting	Photometry	Voltage	97W (70CRI)				215W(70CRI)					
			System Watts	Lumens (4000K)	Efficacy (4000K)	Lumens (5000K)	Efficacy (5000K)	System Watts	Lumens (4000K)	Efficacy (4000K)	Lumens (5000K)	Efficacy (5000K)
LV1	General High Bay	120-277V	97W	14000lm	144lm/W	13800lm	142lm/W	215W	30500lm	142lm/W	30300lm	142 lm/W
LV2	General High Bay	120-277V	80W	11700lm	146lm/W	11500lm	144lm/W	170W	25000lm	156lm/W	24500lm	153lm/W
LV3	General High Bay	120-277V	60W	9000lm	150lm/W	8900lm	148lm/W	128W	20000lm	164lm/W	19500lm	162lm/W
LV4	General High Bay	120-277V	40W	6700lm	168lm/W	6600lm	165lm/W	85W	13700lm	176lm/W	13500lm	174lm/W

Electrical Data

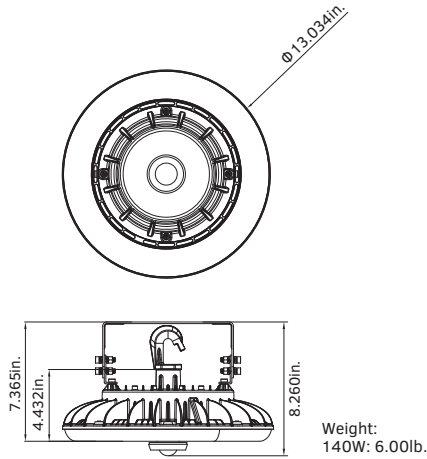
Number Of Drivers	Driver Current (mA)	Nominal Power (W)	Input Voltage (V)	Current (Amps)
1	1080	67	120	0.56
		67	208	0.32
		67	240	0.28
		67	277	0.24
1	850	97	120	0.81
		97	208	0.47
		97	240	0.40
		97	277	0.35
2	3300	140	120	1.17
		140	208	0.67
		140	240	0.58
		140	277	0.51
	3400	140	347	0.40
		140	480	0.29
1	930	180	120	1.50
		180	208	0.87
		180	240	0.75
		180	277	0.65
1	Tunable Power & CCT 830	215	120	1.79
		215	208	1.03
	Fixed Power & CCT 1065	215	240	0.90
		215	277	0.78

DIMENSIONS & WEIGHT

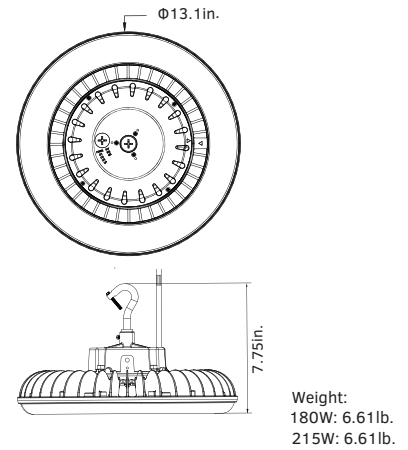
Fixed Power & CCT: 67W



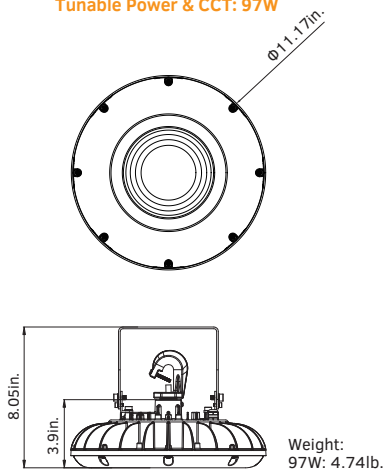
Fixed Power & CCT: 140W



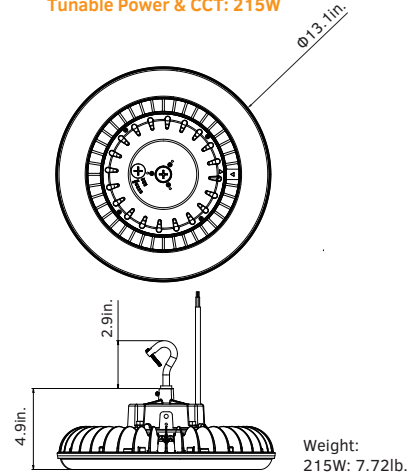
Fixed Power & CCT: 180W & 215W



Tunable Power & CCT: 97W

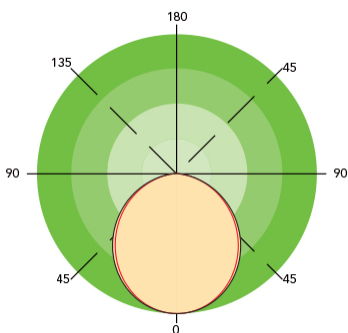


Tunable Power & CCT: 215W

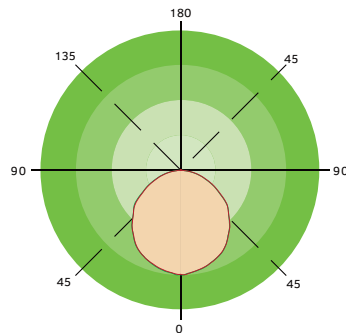


LIGHT DISTRIBUTION

General High Bay
(Fixed Power & CCT)



General High Bay
(Tunable Power & CCT)



MOUNTING OPTIONS



HOOK MOUNT (67W, 97W, 140W)
Included 3/4" hook mount features an anti-shedding screw for added security.



HOOK MOUNT (180W, 215W)
Included M10 hook mount features an anti-shedding screw for added security.



PENDANT MOUNT
A 3/4" conduit entry point ensures easy pendant installation. Conduit adaptor is required for pendant mounting 180W and 215W models (as shown below under Accessories).



ADJUSTABLE SURFACE MOUNTING BRACKET
Allows precise aiming of the fixture to 0°, 30°, 60°, 90°, 120°, 150°, or 180° - not available for 180W or 215W.

ACCESSORIES



MULTI-LEVEL MOTION SENSOR
Center-mounted multi-level motion sensor detects occupancy in an area for additional energy savings.



EMERGENCY BATTERY BACKUP
Emergency battery backup provides up to 90 minutes of operation during power outages for 67W and 140W models.



EMERGENCY BATTERY BACKUP
Emergency battery backup provides up to 90 minutes of operation during power outages for 97W, 180W, and 215W models.



CONDUIT ADAPTOR
Allows conduit pendant mounting for 180W and 215W models. The adaptor screws into the M10 hole on the top of the fixture and includes a 3/4" thread for a standard 3/4" conduit.
Left: installed view of conduit adaptor.
Right: uninstalled view of conduit adaptor.

ORDERING INFORMATION

Circular High Bay Series DHB06						Example: DHB06140W27V50KB	
Fixture Type	Wattage	Voltage	CCT	Finish	Sensor (Optional)	Emergency Battery (Optional)	Internal Code
DHB06	67W 180W 215W	27V 120-277V	40K 4000K 50K 5000K	B Black	M With 120-277V Sensor Blank Without Sensor	B With Emergency Battery Blank Without Emergency Battery	Blank Alphanumeric
	140W	27V 120-277V 48V 347-480V					
	97W 215W	27V 120-277V	DDK Power & CCT Tunable				