



TUNABLE POWER & CCT:
35W | 45W

FIXED POWER & CCT:
23W | 35W | 45W

PRODUCT OVERVIEW

High performing Linear Fixtures are an energy-efficient replacement for traditional T5H0 fixtures. They are widely used in warehouses, workshops, convention centers, gymnasiums, factories, and retail settings with lower ceiling heights. They are also UL Damp Location Listed, making them ideal for settings where they may be exposed to moisture.



KEY FEATURES

CONSTRUCTION:

- Rugged cold-rolled steel housing in a slim and modern design.

FINISH:

- The exterior is protected by a white rust-resistant powder coat finish that provides superior resistance to weathering and corrosion.

OPTICS:

- Light engines are available in standard 3000K, 4000K, and 5000K configurations.
- A wide range of lumen options available from 2,900 to 6,050 Lumens, replaces up to 2 T5H0 fixtures.
- Impact-resistant polycarbonate lens is precisely designed to give a specific light distribution, maximizing efficiency and application spacing.

ELECTRICAL:

- Universal 120-277V input voltage.
- 1-10V dimming driver(s) as default.
- THD: ≤20%, Power Factor: ≥90%.

CONTROLS:

- Power & CCT adjustment controls optional for 35W and 45W.
- Optional multi-level motion sensor - BRI819.
- Optional emergency battery backup provides up to 90 minutes of operation during outages.

INSTALLATION:

- Optional aircraft cable available for chain mounting.
- Optional row connector brackets allow two linear fixtures to be wired together into a single 8' linear fixture.

WARRANTY:

- 5 Year Limited Warranty.

LISTINGS:

- UL listed for damp locations.
- Rated for ambient operating temperature -40°F to 104°F (-40°C to 40°C).

PERFORMANCE DATA

Fixed Power & CCT Lumen Output Table

System Watts	Voltage	3000K(80CRI)		4000K(80CRI)		5000K(80CRI)	
		Lumens	Efficacy	Lumens	Efficacy	Lumens	Efficacy
23W	120-277V	2900lm	126lm/W	3000lm	130lm/W	3000lm	130lm/W
35W	120-277V	4450lm	127lm/W	4700lm	134lm/W	4700lm	134lm/W
45W	120-277V	5850lm	130lm/W	6000lm	133lm/W	6000lm	133lm/W

Adjustable Power & CCT 100% Lumen Output Table

System Watts	Voltage	3000K(80CRI)		4000K(80CRI)		5000K(80CRI)	
		Lumens	Efficacy	Lumens	Efficacy	Lumens	Efficacy
35W	120-277V	4500lm	129lm/W	4900lm	133lm/W	4700lm	134lm/W
45W	120-277V	5800lm	129lm/W	6200lm	133lm/W	6050lm	134lm/W

Adjustable Power & CCT Lumen Output Table

Setting	CCT	35W		45W	
		System Watts	Lumens (4000K)	System Watts	Lumens (4000K)
100%	4000K	35W	4900lm	45W	6200lm
80%	4000K	28W	4000lm	36W	5000lm
60%	4000K	21W	3150lm	27W	3800lm
40%	4000K	15W	2350lm	18W	2700lm

Fixed Power & CCT Electrical Data

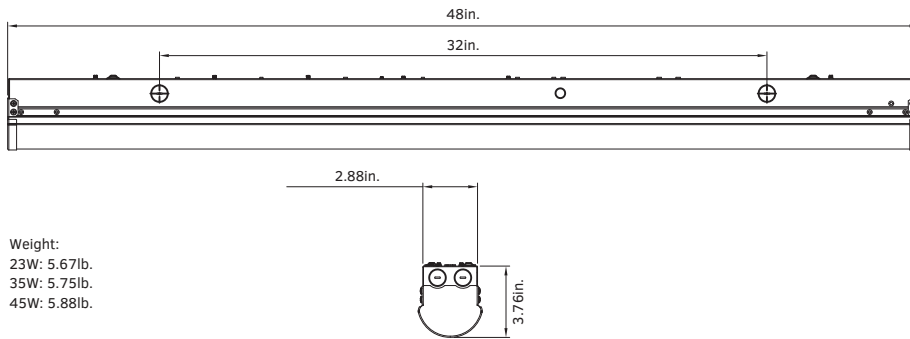
Number of Drivers	Driver Current (mA)	Nominal Power (W)	Input Voltage (V)	Current (Amps)
1	530	23	120	0.19
		23	208	0.11
		23	240	0.10
		23	277	0.08
1	850	35	120	0.29
		35	208	0.17
		35	240	0.15
		35	277	0.13
1	1120	45	120	0.38
		45	208	0.22
		45	240	0.19
		45	277	0.16

Adjustable Power & CCT Electrical Data

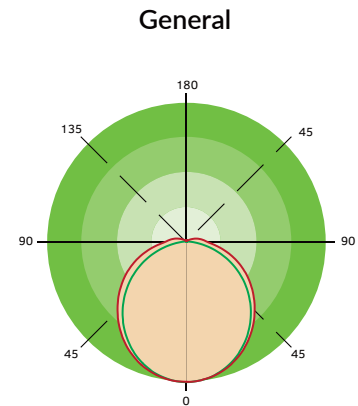
Number of Drivers	Driver Current (mA)	Nominal Power (W)	Input Voltage (V)	Current (Amps)
1	610	35	120	0.29
		35	208	0.17
		35	240	0.15
		35	277	0.13

Number of Drivers	Driver Current (mA)	Nominal Power (W)	Input Voltage (V)	Current (Amps)
1	770	45	120	0.38
		45	208	0.22
		45	240	0.19
		45	277	0.16

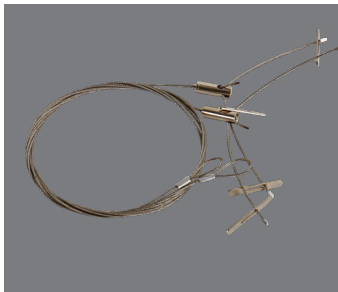
DIMENSIONS & WEIGHT



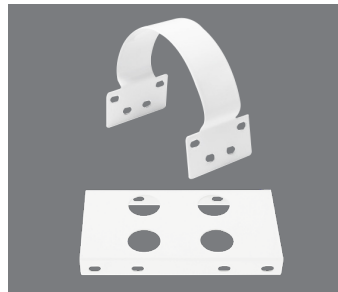
LIGHT DISTRIBUTION



MOUNTING OPTIONS



STEEL WIRE ROPE
A heavy-duty steel cable is available to accommodate chain mounting.



ROW CONNECTORS
Optional row connector brackets allow two 4' linear fixtures to be wired together into one 8' linear fixture.

ACCESSORIES



MULTI-LEVEL MOTION SENSOR
Multi-level motion sensor detects occupancy in an area for additional energy savings.



EMERGENCY BATTERY BACKUP
Emergency battery backup provides up to 90 minutes of operation during power outages.

ORDERING INFORMATION

Linear Fixture Series DFIG2										Example: DFIG245W27V50KF	
Fixture Type	Wattage	Voltage	CCT	Sensor (Optional)	Emergency Battery (Optional)	Lens	Adjustment Dial	Internal Code			
<input type="checkbox"/>	<input type="checkbox"/>	<input type="checkbox"/>	<input type="checkbox"/>	<input type="checkbox"/>	<input type="checkbox"/>	<input type="checkbox"/>	<input type="checkbox"/>	<input type="checkbox"/>	<input type="checkbox"/>		
DFIG2	23W	27V 120-277V	40K 4000K	M With 120-277V Sensor Blank Without Sensor	B With Battery Blank Without Battery	F Frosted Lens	AD With Adjustment Dial Blank Without Adjustment Dial	Blank			
	35W		50K 5000K					Alphanumeric			
	45W										
	35W	27V 120-277V	DDK Power & CCT Tunable								
	45W										