



PRODUCT OVERVIEW

The high-performing Series DMLHG6 Linear High Bay is an energy-efficient replacement for traditional T5 or T8 fixtures. It comes in 3 popular sizes, with power & CCT adjustment controls available for 210W.



KEY FEATURES

CONSTRUCTION:

- Advanced thermal management aluminum alloy housing in a slim and modern design.

FINISH:

- The exterior is protected by a white rust-resistant powder coat finish that provides superior resistance to weathering and corrosion.

OPTICS:

- Light engines are available in standard 4000K and 5000K configurations.
- A range of lumen options available from 12,700 to 42,000 Lumens, replaces up to 16 F54T5 or 18 F32T8.

ELECTRICAL:

- Standard 120-277V input voltage, optional 347-480V input voltage.
- Standard 6KV surge protection, meeting the industrial ANSI standards.
- 1-10V dimming driver(s) as default.
- THD: ≤20%, Power Factor: ≥90%.

WARRANTY:

- 5 Year Limited Warranty.

CONTROLS:

- Power & CCT adjustment controls available for 210W, enabling power adjustment to 100%, 80%, 60%, or 40%, and CCT adjustment to 4000K or 5000K.
- Optional multi-level motion sensor - BRI823 / BRI820 (90W 480V only) / ANT-6-4T (210W Power & CCT Tunable only).
- Optional emergency battery backup provides up to 90 minutes of operation during outages.
- Bluetooth networked controls that are DLC NLC qualified, utilizing a Bluetooth SIG mesh network operated with IOS and web, optional for 210W.

INSTALLATION:

- Chain mount with included steel mounting cable.
- Pendant mount with optional pendant hanger.
- Optional wire guard protects lens against impact (by special order only).

LISTINGS:

- DesignLights Consortium® (DLC) qualified.
- UL listed for damp locations.
- Rated for ambient operating temperature -40°F to 122°F (-40°C to 50°C).

PERFORMANCE DATA

Fixed Power & CCT Model Lumen Output

System Watts	Voltage	Photometry	4000K(70CRI)		5000K(70CRI)	
			Lumens	Efficacy	Lumens	Efficacy
90W	120-277V / 347-480V	General High Bay	12700lm	141lm/W	12700lm	141lm/W
130W	120-277V	General High Bay	18600lm	143lm/W	18600lm	143m/W
145W	347-480V	General High Bay	19100lm	132lm/W	19200lm	132m/W
175W	120-277V	General High Bay	25000lm	143lm/W	25000lm	143m/W
185W	347-480V	General High Bay	25300lm	137lm/W	25300lm	137m/W
210W	120-277V	General High Bay	30600lm	146lm/W	30600lm	146m/W
220W	347-480V	General High Bay	31000lm	141lm/W	31000lm	141m/W
270W	120-277V	General High Bay	37000lm	137lm/W	37000lm	137m/W
278W	347-480V	General High Bay	37500lm	135lm/W	37500lm	135m/W
300W	120-277V	General High Bay	41500lm	138lm/W	41500lm	138m/W
310W	347-480V	General High Bay	42000lm	135lm/W	42000lm	135m/W

210W Adjustable Power & CCT Lumen Output

Setting	System Watts	Voltage	Lens	4000K(70CRI)		5000K(70CRI)	
				Lumens	Efficacy	Lumens	Efficacy
100%	210W	120-277V	Clear Diffuser	30000lm	142lm/W	30000lm	142lm/W
	225W	347/480V	Clear Diffuser	31000lm	138lm/W	31000lm	138m/W
80%	180W	120-277V	Clear Diffuser	25000lm	139lm/W	25000lm	139lm/W
	185W	347/480V	Clear Diffuser	26000lm	141lm/W	26000lm	141lm/W
60%	130W	120-277V	Clear Diffuser	20000lm	154lm/W	20000lm	154lm/W
	140W	347/480V	Clear Diffuser	20500lm	146m/W	20500lm	146lm/W
40%	90W	120-277V	Clear Diffuser	13600lm	151lm/W	13600lm	151lm/W
	100W	347/480V	Clear Diffuser	15000lm	150lm/W	15000lm	150lm/W

Fixed Power & CCT Electrical Data

Number of Drivers	Driver Current (mA)	Nominal Power (W)	Input Voltage (V)	Current (Amps)
1	850	90	120	0.75
		90	208	0.43
		90	240	0.38
		90	277	0.32
	2400	90	347	0.26
		90	480	0.19
1	1200	130	120	1.08
		130	208	0.63
		130	240	0.54
		130	277	0.47
		145	347	0.42
		145	480	0.30

Fixed Power & CCT Electrical Data

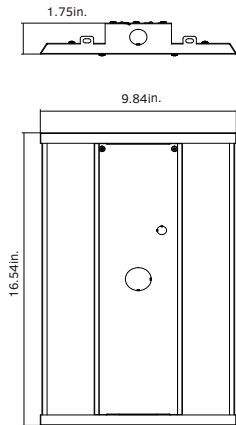
Number of Drivers	Driver Current (mA)	Nominal Power (W)	Input Voltage (V)	Current (Amps)
1	1060	175	120	1.46
		175	208	0.84
		175	240	0.73
		175	277	0.63
		185	347	0.53
		185	480	0.39
1	1060	210	120	1.75
		210	208	1.01
		210	240	0.88
		210	277	0.76
		220	347	0.63
		220	480	0.46
2	2400	270	120	2.25
		270	208	1.30
		270	240	1.13
		270	277	0.97
		278	347	0.80
		278	480	0.58
2	2400	300	120	2.50
		300	208	1.44
		300	240	1.25
		300	277	1.08
		310	347	0.89
		310	480	0.65

210W Adjustable Power & CCT Electrical Data

Number of Drivers	Driver Current (mA)	Nominal Power (W)	Input Voltage (V)	Current (Amps)
1	1060	210	120	1.75
		210	208	1.01
		210	240	0.88
		210	277	0.76
		225	347	0.65
		225	480	0.47

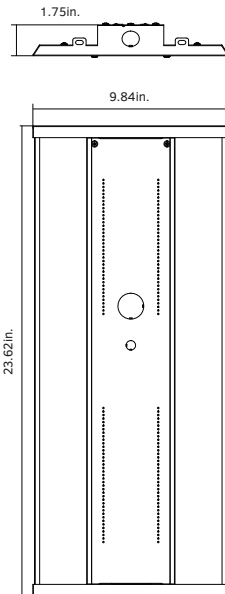
DIMENSIONS & WEIGHT

90W / 130W



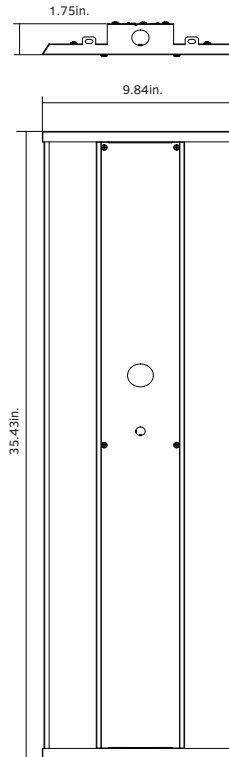
Net Weight
90W: 4.63lb.
130W: 4.63lb.

175W / 210W



Net Weight
175W: 5.67lb.
210W: 5.8lb.
210W Tunable: 5.96lb.

270W / 300W

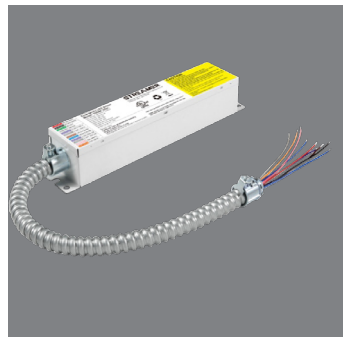


Net Weight
270W: 9.02lb.
300W: 9.02lb.

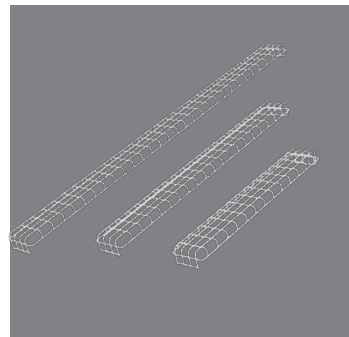
ACCESSORIES



MULTI-LEVEL MOTION SENSOR
Multi-level motion sensor detects occupancy in an area for additional energy savings.

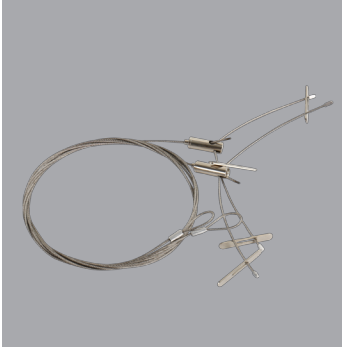


EMERGENCY BATTERY BACKUP
Emergency battery backup provides up to 90 minutes of operation during power outages.

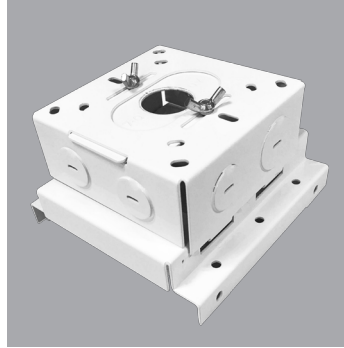


WIRE GUARD
A special order wire guard protects the fixture lens against impact.

MOUNTING OPTIONS



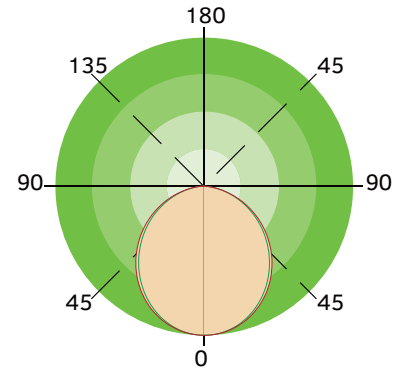
STEEL MOUNTING CABLE
An heavy-duty steel cable is included to accommodate chain mounting.



PENDANT HANGER
A pendant hanger box includes everything necessary for pendant mounting the fixture.

LIGHT DISTRIBUTION

General



ORDERING INFORMATION

Linear High Bay Series DMLHG6

Example: DMLHG6210W27VDDKCD

Fixture Type	Wattage	Voltage	CCT	Lens	Sensor (Optional)	Emergency Battery (Optional)	Internal Code
<input type="text"/>	<input type="text"/>	<input type="text"/>	<input type="text"/>	<input type="text"/>	<input type="text"/>	<input type="text"/>	<input type="text"/>
DMLHG6	90W	27V 120-277V	40K 4000K 50K 5000K	CD Clear Lens	M With PIR Sensor Blank Without Sensor	B With Battery Blank Without Battery	Blank Alphanumeric
		48V 347-480V					
	130W 175W 210W 270W 300W	27V 120-277V					
		48V 347-480V	145W				
			185W				
			220W				
			278W 310W				
	210W	27V 120-277V	DDK Adjustable				
225W	48V 347-480V						