



TUNABLE POWER & CCT:
130W

Product Overview

Featuring a sleek, modern design, the DPT01 Post Top Light provides reliable illumination, producing zero uplight while blending perfectly into urban and suburban pedestrian areas. Power & CCT Adjustment Controls are standard on every model. The Post Top Light is designed to be mounted at a height of 8' to 20' on a round pole with a diameter of 2 3/8" or 3". Pole not included.



Key Features

CONSTRUCTION:

- Rugged die-cast aluminum housing.
- 3G vibration rated for areas with traffic, meeting ANSI standards C136.31.
- Housing is completely sealed against moisture and environmental contaminants.

FINISH:

- The exterior is protected by a rust-resistant powder coat finish that provides superior resistance to weathering and corrosion.

OPTICS:

- Light engines are available in standard 3000K, 4000K and 5000K configurations.
- A range of lumen options available from 6,000 to 16,300 Lumens, replaces up to 400W metal halide.
- Impact and UV-resistant polycarbonate lens is precisely designed to give a specific light distribution, maximizing efficiency and application spacing.

ELECTRICAL:

- Universal 120-277V input voltage.
- 0-10V dimming driver(s) standard.
- THD: ≤20%, Power Factor: ≥90%.

CONTROLS:

- Power & CCT adjustment controls standard.
- Optional multi-level motion sensor - BRI823.
- Optional twist-lock photocell for additional energy savings - PO 120-277V.

INSTALLATION:

- Suitable for mounting heights ranging from 8'-20'.
- Compatible with round poles with a standard diameter of 3" and, with the durable vibration-resistant pole sleeve adaptor, round poles with a standard diameter of 2 3/8".

WARRANTY:

- 5 Year Limited Warranty.

LISTINGS:

- DesignLights Consortium® (DLC) Premium qualified.
- UL Wet Location Listed.
- Rated for ambient operating temperature -40°F to 113°F (-40°C to 45°C).

PERFORMANCE DATA

Power & CCT Tunable Model Lumen Output

System Watts	Voltage	3000K(70CRI)		4000K(70CRI)		5000K(70CRI)	
		Lumens	Efficacy	Lumens	Efficacy	Lumens	Efficacy
130W	120-277V	16000lm	123lm/W	17200lm	132lm/W	16300lm	125lm/W

Adjustable Lumen Output Table

Setting	System Watts	Voltage	CRI	Lumens (3000K)	Efficacy (3000K)	Lumens (4000K)	Efficacy (4000K)	Lumens (5000K)	Efficacy (5000K)
LV1	130W	120-277V	70	16000lm	123lm/W	17200lm	132lm/W	16300lm	125lm/W
LV2	87W	120-277V	70	11600lm	133lm/W	12000lm	138lm/W	11800lm	136lm/W
LV3	70W	120-277V	70	9700lm	139lm/W	10000lm	143lm/W	9900lm	141lm/W
LV4	45W	120-277V	70	6500lm	144lm/W	6700lm	149lm/W	6000lm	147lm/W

Electrical Data

Number of Drivers	Driver Current (mA)	Nominal Power (W)	Input Voltage (V)	Current (Amps)
2	3500	130	120	1.08
		130	208	0.63
		130	240	0.54
		130	277	0.47

POWER & CCT ADJUSTMENT CONTROLS



CCT Tunable
Choice of 3 CCT settings.

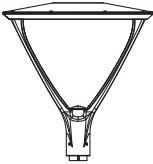
3000K 4000K 5000K

Power Tunable
Choice of 4 power settings.

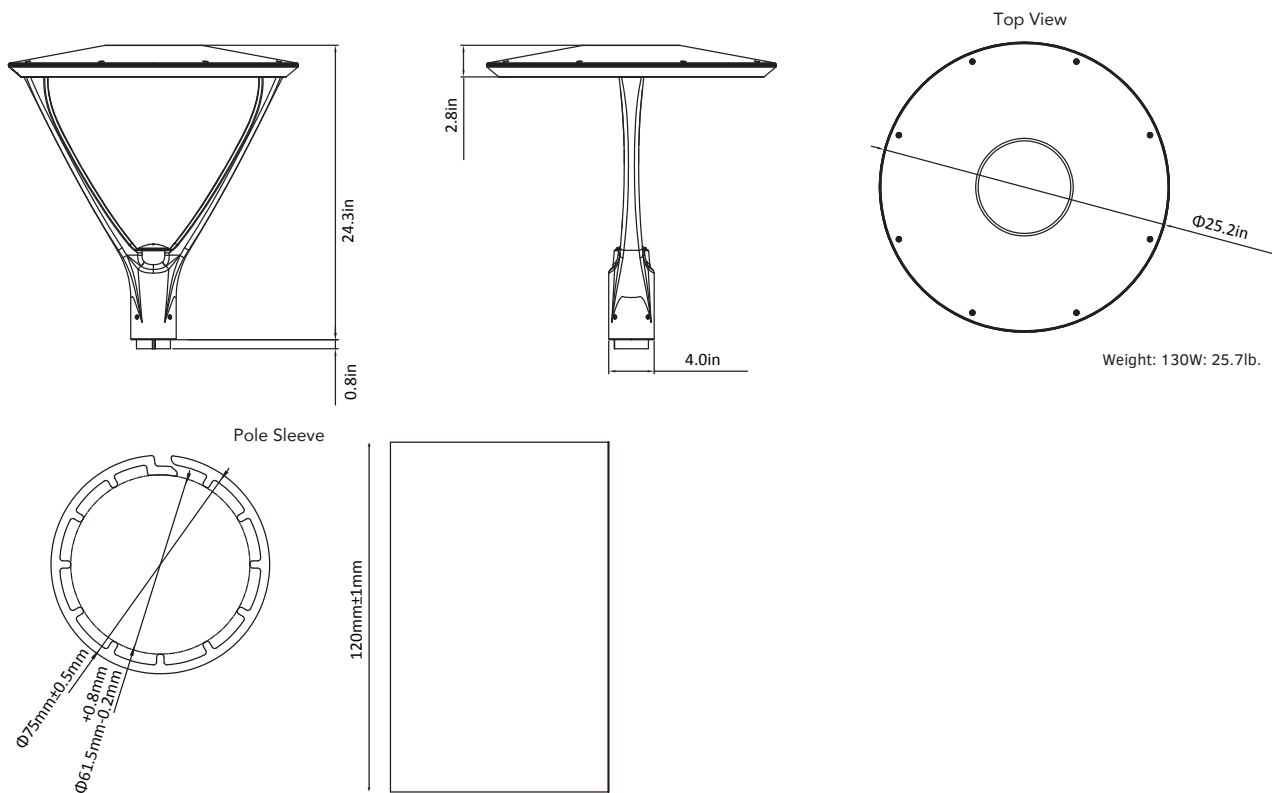
45W 70W 87W 130W

Image shows access panel removed to show location of Power & CCT Adjustment Controls.

EPA

Item	
EPA	0.9696

DIMENSIONS & WEIGHT



ORDERING INFORMATION

Post Top Light DPT01							Example: DPL01130W27VDDKD				
Fixture Type	Wattage	Voltage	CCT	Finish	Photocell (Optional)	Sensor (Optional)	Photometry	Internal Code			
<input type="text" value="DPL01"/>	<input type="text" value="130W"/>	<input type="text" value="27V"/> 120-277V	<input type="text" value="DDK"/> Power & CCT Tunable	<input type="text" value="D"/> Dark Bronze <input type="text" value="B"/> Black <input type="text" value="W"/> White	<input type="text" value="PO"/> 120-277V Photocell <input type="text" value="Blank"/> Without Photocell	<input type="text" value="M"/> With Sensor <input type="text" value="Blank"/> Without Sensor	<input type="text" value="Blank"/> General Photometry	<input type="text" value="Blank"/> Alphabetic			