



INCLUDED: TOP VISOR & LASER AIMING SIGHT

PRODUCT OVERVIEW

With superior lumen output and high efficiency, the Series DSLG2 Sports Light is a thin, lightweight sports lighting solution that doesn't compromise on power. This versatile light is available with NEMA 4Hx4V photometry and with a CRI of 70. Surface mounting is default and pole mounting with optional trunnion adaptor using a required 2-3/8" tenon is available (tenon not included).



KEY FEATURES

CONSTRUCTION:

- Rugged die-cast aluminum housing is completely sealed against moisture and environmental contaminants (IP65).
- 1.5G Vibration rated, meeting ANSI C136.31.

FINISH:

- The exterior is protected by a rust-resistant powder coat finish that provides superior resistance to weathering and corrosion.

OPTICS:

- Available in a standard NEMA 4Hx4V distribution.
- Light engines are available in standard 4000K, 5000K and 5700K configurations with a CRI of 70, or a CRI of 80 or 90 by special order.
- High lumen output of up to 71,000 Lumens.
- Impact and UV-resistant polycarbonate lens is precisely designed to give a specific light distribution, maximizing efficiency and application spacing.

ELECTRICAL:

- Universal 120-277V or 347-480V input voltage.
- 20KV surge suppression (40KV for 347-480V), meeting industrial ANSI standards.
- 0-10V dimming driver(s) standard.
- THD: ≤20%, Power Factor: ≥90%.

INCLUDED ACCESSORIES:

- Included top visor reduces glare while providing additional protection from damage.
- Included aiming sight helps to aim the fixture using a narrow laser beam.

INSTALLATION:

- Surface mounting with included trunnion bracket.
- Pole mounting with optional trunnion adaptor using a required 2-3/8" tenon (tenon not included) - TR-SP-B.

LIFESPAN:

- 5 Year Limited Warranty.

LISTINGS:

- DesignLights Consortium® (DLC) Premium qualified.
- UL Wet Location Listed.
- Rated for ambient operating temperature -40°F to 131°F (-40°C to 55°C).

PERFORMANCE DATA

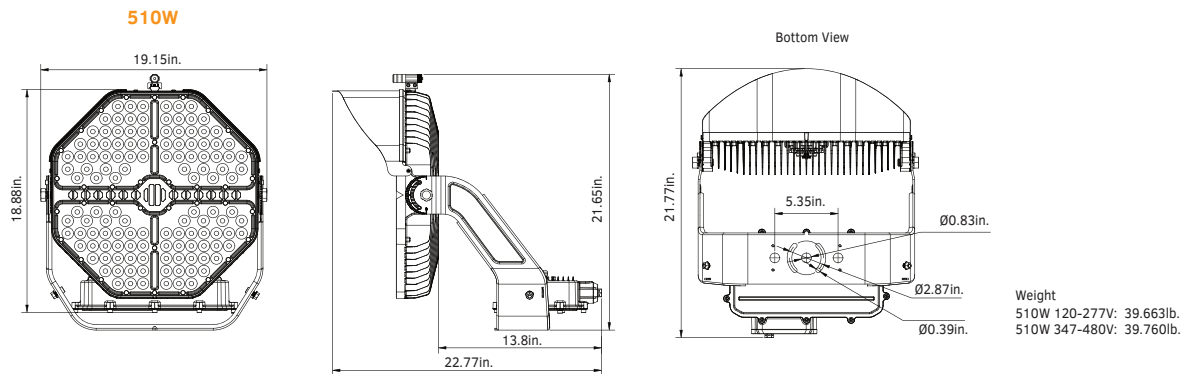
EPA & Lumen Output

System Watts	Voltage	EPA	4000K(NEMA 4Hx4V/70CRI)		5000K(NEMA 4Hx4V/70CRI)		5700K(NEMA 4Hx4V/70CRI)	
			Lumens	Efficacy	Lumens	Efficacy	Lumens	Efficacy
510W	120-277V/347-480V	0.9497	71000lm	139lm/W	71000lm	139lm/W	68000lm	133m/W

Electrical Data

Number of Drivers	Driver Current (mA)	Nominal Power (W)	Input Voltage (V)	Current (Amps)
1	2500	510	120	4.25
		510	208	2.45
		510	240	2.13
		510	277	1.84
		510	347	1.47
		510	480	1.06

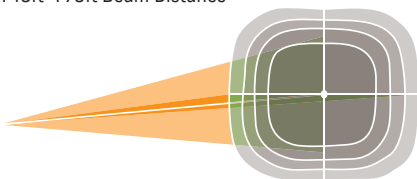
DIMENSIONS & WEIGHT



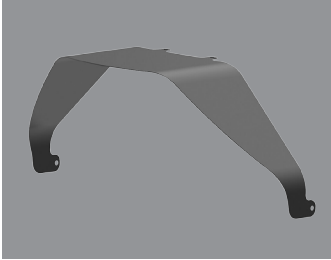
PHOTOMETRY

NEMA 4HX4V Distribution

46°-70° Horizontally
46°-70° Vertically
145ft-175ft Beam Distance



ACCESSORIES



TOP VISOR (INCLUDED)

Included top visor reduces glare and protects against damage.



LASER AIMING SIGHT (INCLUDED)

Included laser aiming sight helps with precise aiming of the fixture.

ADDITIONAL MOUNTING OPTION



TRUNNION ADAPTOR

An optional trunnion adaptor allows installation on poles with a required 2-3/8" tenon (tenon is not included).

Left Image: mounting accessory & included hardware; **Right Image:** installed view with trunnion adaptor and 2-3/8" tenon (tenon is not included).

ORDERING INFORMATION

Sports Light Series DSL2

Example: DSL2510W27V50KBB44TR

Fixture Type	Wattage	Voltage	CCT	Finish	NEMA	Mounting	Internal Code
DSL2	510W	27V 120-277V 48V 347-480V	40K 4000K 50K 5000K 57K 5700K	B Black	B44 4Hx4V	TR Trunion	Blank Alphanumeric