



DFLL-226E

PRODUCT OVERVIEW/DFLL-226E

These LED lights have transformed the landscape lighting environment. Utilizing performance optics and long lasting driver, these landscape lights will last for years to come. With various optical lenses, this luminaire can provide a narrow beam or wide beam, allowing the fixture to fit into any environment. Optional mounting and Kelvin color* with adder.



KEY FEATURES

LISTING

- UL- and CUL-listed for wet locations

HOUSING

- Die-cast aluminium housing

FINISH

- UV stabilized powder coated finish

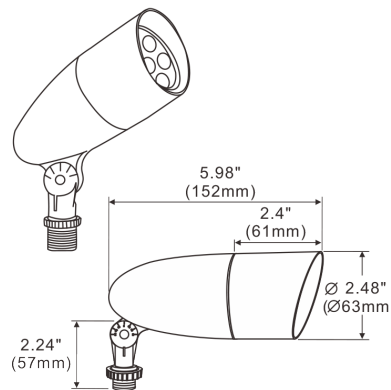
LENS

- Integral glare shield and tempered glass

OPTIONS

- Versatile mounting choices
- Various optical lenses available
- Finish - Bronze/Verde Green/Black

SPECIFICATION



| | |
|---------------|-----------|
| Model No. | DFLL-226E |
| System watts | 5 |
| Lumen Output | 525 lm** |
| Color | 5000K |
| Beam Spread | 30° |
| MA | 330MA |
| Input Voltage | 120~240V |
| CRI | 70+ |
| Starting Temp | -40°C |
| Equivalent | 50W MH |



Available Options DFLL-226E PVC Pipe DFLL-226E Electrical Plate

* Different LED Kelvin temperature available with 4-6 week lead time. Please call for a quote.

** DISCLAIMER: This test report was produced in accordance with IES LM-79 photometric testing protocol for luminaires, using a single representative test fixture.

Actual production units may vary from the values reported here by up to +10%.