



DRPL-009

## PRODUCT OVERVIEW/DRPL-009

This attractive, newly redesigned heavy-duty bollard features an aluminum housing, providing corrosion and tamper resistance. Ideal for lighting pedestrian walkways, as well as accenting the exterior grounds of office and apartment buildings, hotel and parks. A solid foundation withstands the elements, driver options work in even the worst weather conditions.

Optional mounting and Kelvin color\* with adder.



## KEY FEATURES

### LISTING

- UL- and CUL-listed for wet locations

### HOUSING

- Consisting of an extruded aluminium alloy body
- Standard 4kV Surge

### FINISH

- UV stabilized powder coated finish

### LENS

- High-impact polycarbonate diffuser

### OPTIONS

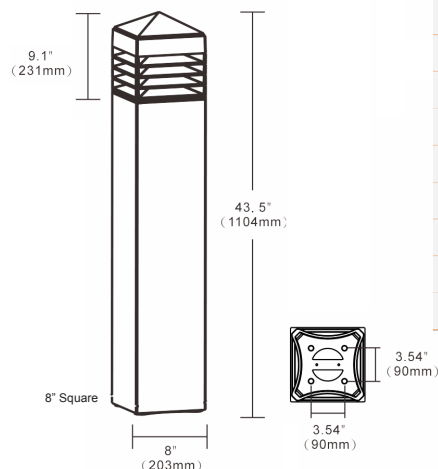
- Anodized aluminum reflector
- Finish - Bronze

\* Different LED Kelvin temperature available with 4-6 week lead time. Please call for a quote.

\*\* DISCLAIMER: This test report was produced in accordance with IES LM-79 photometric testing protocol for luminaires, using a single representative test fixture.

Actual production units may vary from the values reported here by up to +10%.

## SPECIFICATION



Model No.	DRPL-009
Nominal Watts	40
Lumen	740 lm
Color	5000K
MA	950MA
Input Voltage	120-277V
CRI	70+
Starting Temp	-40°C
Equivalent	100W MH