



REMINGTON
DRPL-10A-C

SINCLAIR
DRPL-10A-S

PRODUCT OVERVIEW

This attractive and newly redesigned heavy-duty bollard features an aluminum constructed housing. It provides corrosion and tamper resistance that is not only ideal for lighting pedestrian walkways, but also for accenting the exterior ground of office and apartment buildings, hotels and parks. A solid foundation withstands the element and driver even in the worst weather conditions. The upgraded color tuning switch allows easy access to a range of CCTs based on different environments.



KEY FEATURES

LISTING

- UL- and CUL-listed for wet locations

HOUSING

- Consisting of an extruded aluminium alloy body
- Standard 4kV Surge

FINISH

UV stabilized powder coated finish

LENS

- High-impact polycarbonate diffuser

OPTIONS

- Anodized aluminum reflector
- Finish - Bronze
- Built-in color adjustable control ranging from 3000K to 5000K

APPLICATIONS

	Hotels
	Commercial Buildings
	Schools & Colleges

PRODUCT DESCRIPTION

Extruded aluminum tube provides strength and durability as well as protects and conceals the component wiring

Terminal block provided on base bracket for easy installation of incoming supply wires

Quick disconnect located near the terminal block for simple connection to the LED driver

Versatile mounting plate allows for easy installation and replacement for any project or development

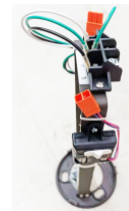


LED compartment is airtight to prevent fogging and condensation build up and keep water out

Aluminum reflector designed to reduce glare and produce an even distribution

Clear UV resistant polycarbonate lens allows for optimal light transmission and protects the light engine compartment from harsh environments

Driver is mounted under the LED compartment for easy replacement and to protect from water that may accumulate in the base of the bollard. Torx security screws secure the LED compartment to the base to deter vandalism



Easy access to the control switch for a range of CCTs and wattages to choose from



PERFORMANCE DATA

Model No.	Nominal Watts	Lumens**	Efficacy**	Dist. Type
DRPL-10A-C/S	20 / 28 / 37W	4818.lm**	132.38 lm/W**	Type V
*Lumen and efficacy are based on 5000K highest wattage				

SPECIFICATIONS

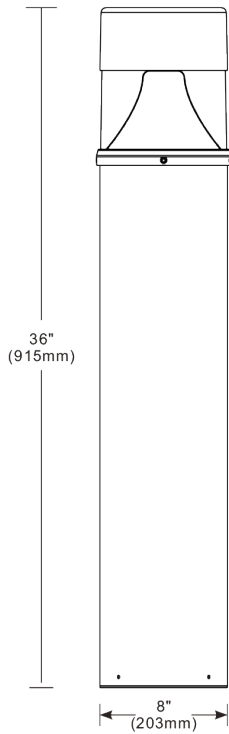
Example: DRPL-10A-C / DRPL-10A-S

Model No.	Nominal Watts	Input Voltage	CRI	Color Temp	Finish	Starting Temp
DRPL-10A-C DRPL-10A-S	037=37W	HV3=120-347V	8=80+	TX= 3000K 4000K 5000K	Bronze	-40°C

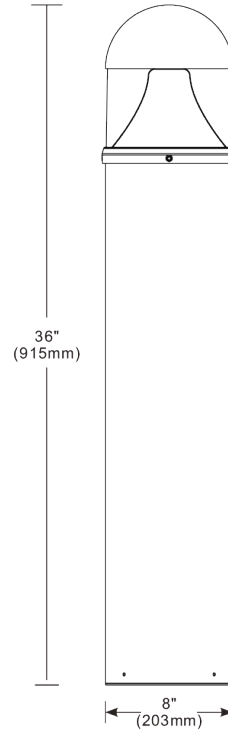
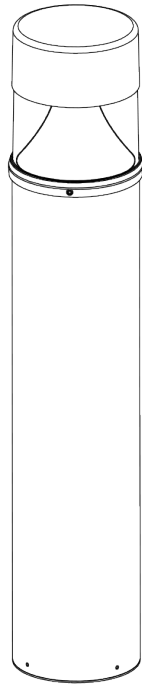


• Different LED Kelvin temperature available with 4-6 week lead time. Please call for a quote. **DISCLAIMER: This test report was produced in accordance with IES LM-79 photometric testing protocol for luminaires, using a single representative test fixture. Actual production units may vary from the values reported here by up to ±10%.

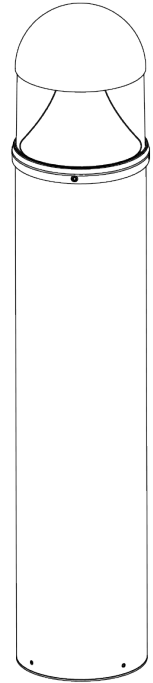
DIMENSIONS



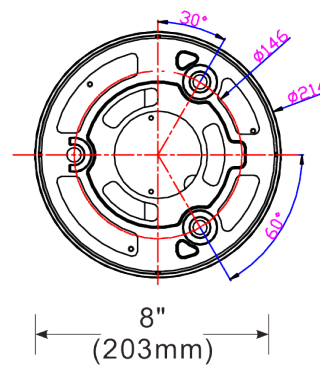
REMINGTON
DRPL-10A-C



SINCLAIR
DRPL-10A-S



Versatile mounting holes



• Different LED Kelvin temperature available with 4-6 week lead time. Please call for a quote. •DISCLAIMER: This test report was produced in accordance with IES LM-79 photometric testing protocol for luminaires, using a single representative test fixture. Actual production units may vary from the values reported here by up to ±10%.