

Type:

Model:

## ELLIOTT Uplight Fixture

**ORDERING CODE:**

490014

**SPECIFICATIONS**

**HOUSING:**

Solid brass. Lock-and-load extended shroud with O-ring.

**FINISH:**

Weathered brass. Custom powder coated colors available.

**LENS:**

Clear tempered glass lat lens

**SOCKET/LAMP HOLDER:**

Stainless steel fork terminals.

**LAMP TYPE:**

12V PAR36/AR36. LED recommended. 12W LED or 35W halogen maximum.

**MOUNTING:**

Stem threaded with 1/2" NPT. Heavy-duty composite stake included. May be mounted into threaded hubs in junction boxes or mounting accessories.

**WIRING:**

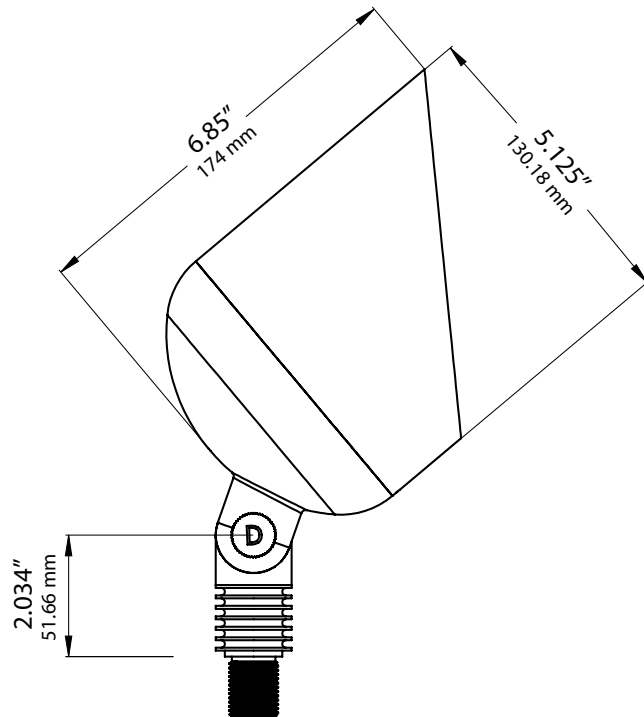
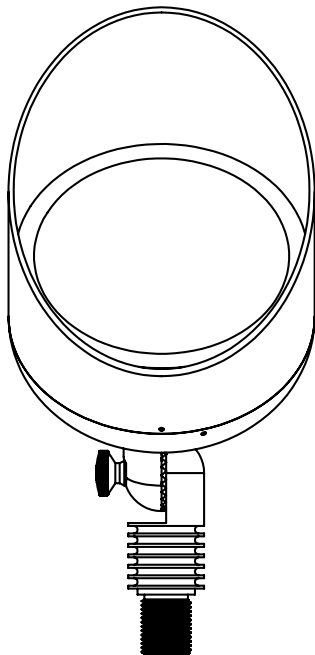
Pre-wired with 5' pigtail of 18/2 cable.

**WARRANTY:**

Lifetime.



**DIMENSIONS:**



### LED LAMP SPECIFICATIONS

**LAMP TYPES:**

PAR36/AR36 IP65 outdoor-rated lamp with 5-year warranty.

**OPTICS:**

Integral optics providing available beam spreads of 38° and 60°.

**COLOR TEMPERATURES:**

2700K or 3000K color temperature.

### FIXTURE ORDERING INFORMATION

To order a lamped fixture with mounting options, select the appropriate choice from each column as in the following example:

EXAMPLE: 490014-PAR36/AR36-27K-6W-38-MR-R6



FIXTURE		LAMP		MOUNTING	RISER
490014	TYPE	WATTAGE	BEAM SPREAD	<b>MS</b> Composite stake (incl.) - 490034 <b>M3</b> Trident Heavy-Duty 3-Prong Stake - 490036 <b>PM</b> Round pier mount - 490057 <b>MR</b> Round tapered 3-hole surface mount - 490048 <b>MP</b> PVC/Brass post stake - 490037 <b>GM</b> Brass gutter mount - 490047 <b>RMP</b> Round Brass Electrical Mounting Plate - 490043 <b>REP</b> Rectangular Brass Electrical Mounting Plate - 490044	<b>R2</b> 2" brass riser 490038 <b>R3</b> 3" brass riser 490039 <b>R6</b> 6" brass riser 490031 <b>R12</b> 12" brass riser 490032 <b>R24</b> 24" brass riser 490033
	PAR36/AR36 IP65 2700K 3000K	4W / 6W / 10W 13W / 17W	38° / 60°		