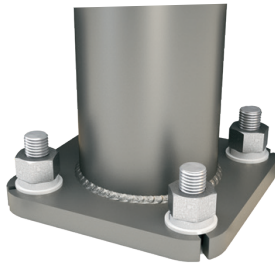


### POLE

Pole shaft shall be weldable-grade, cold-rolled, commercial quality carbon steel tubing conforming to ASTM A500 Grade B. Options include 11 gauge and 7 gauge. All welds shall conform to AWS D1.1 using ER70S-6 electrodes.

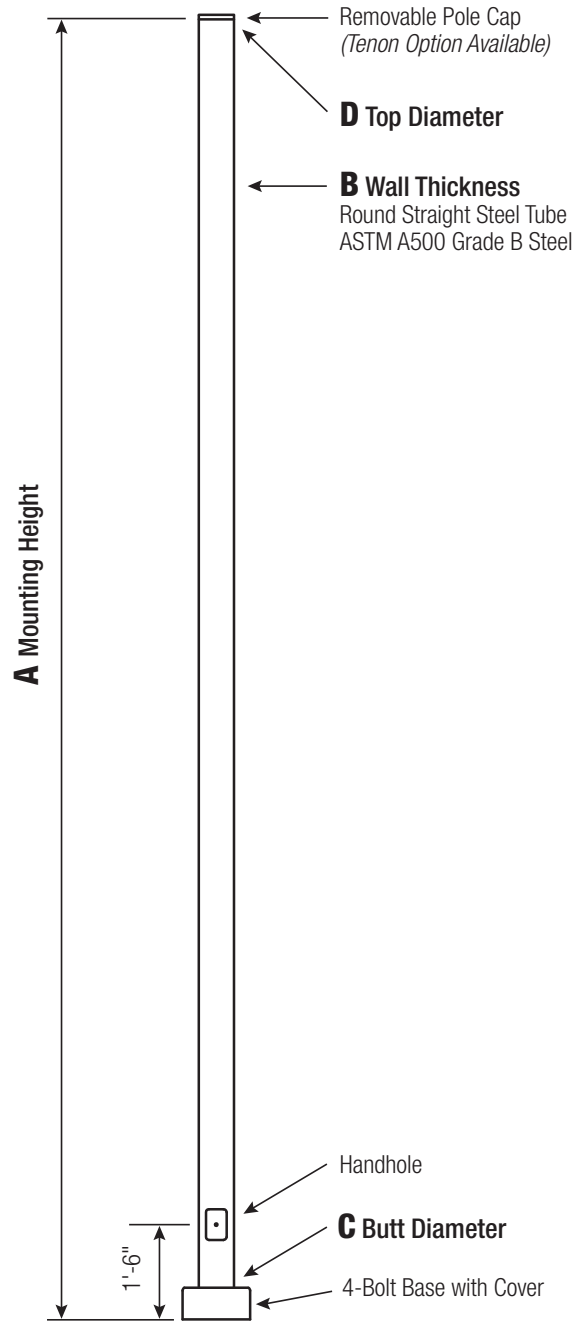
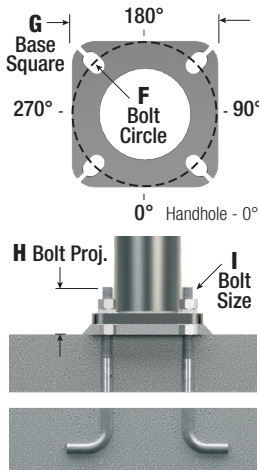
### BASE STYLE

4-Bolt Steel Base Plate of fabricated hot rolled carbon steel conforming to ASTM A36 or equivalent (36 ksi minimum yield) with 2-piece Base Cover and attaching hardware.



### ANCHORAGE

Anchorage Kit will include four (4) L-shaped Steel Anchor Bolts conforming to AASHTO M314-90 Grade 55. Ten inches (10") of threaded end will be galvanized per ASTM A153. Kits will contain eight (8) Hex Nuts, four (4) Lock Washers, and eight (8) Flat Washers (all components Galvanized Steel). A paper bolt circle template will be provided.



Powder coated, galvanized or powder coated over galvanized finish per customer specification.

C BUTT DIA.	D TOP DIA.	F BOLT CIR. DIA.	G BASE SQ.	H BOLT PROJ.	I BOLT SIZE
3	3	7.5-8.5	8	3.75	.75 x 17 x 3
4	4	7.5-8.5	8	3.75	.75 x 17 x 3
4.5	4.5	7.5-8.5	8	3.75	.75 x 17 x 3
5 (11 Gauge)	5	7.5-8.5	8	3.75	.75 x 17 x 3
5 (7 Gauge)	5	8-9	8.75	4.875	1 x 36 x 4

Dimensions in Inches

### HANDHOLE

#### 3" Butt Diameter -

Reinforced, 2" x 4" Handhole with cover and stainless steel screws. A grounding provision incorporating a tapped 1/2"-13NC hole will be provided.

#### 4"+ Butt Diameters -

Reinforced, 3" x 5" Handhole with cover, stainless steel screw and backbar. A grounding provision incorporating a tapped 1/2"-13NC hole will be provided.



### BASE COVER

#### Round ABS plastic Base

**Covers** are standard in all 11 Gauge RSS poles specified in powder coat finishes BA-Black, BM-Dark Bronze and BH-White.

**Square metal powder coated Base Covers** are standard in all 11 Gauge RSS poles that are specified in colors other than BA, BM, and BH and in all 7 Gauge poles in ALL COLORS. Custom specification of RSS Square Metal style Base Covers in BA, BM and BH powder coated finishes is available.



### VIBRATION DAMPER

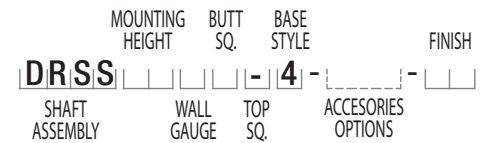
If determined necessary by Dauer, or if specified by the customer, a first and/or second mode vibration damper will be provided.

**WARNING:** Do not install light pole without luminaire.

A MTG. HGT.	B WALL GAUGE	C BUTT DIA.	TOTAL LUM. WEIGHT	MAXIMUM EPA						CATALOG NUMBER
				90	100	110	120	130	140	
8	11	3	525	10.1	8.0	7.4	6.1	5.0	4.2	DRSS08B3-4-**
8	11	4	600	21.4	17.1	15.9	13.1	11.0	9.4	DRSS08B4-4-**
10	11	3	435	8.1	6.3	5.8	4.7	3.8	3.1	DRSS10B3-4-**
10	11	4	600	16.7	13.2	12.2	10.0	8.3	7.0	DRSS10B4-4-**
10	11	4.5	600	22.4	17.8	16.5	13.6	11.5	9.9	DRSS10BG-4-**
12	11	3	370	6.4	4.9	4.5	3.5	2.8	2.2	DRSS12B3-4-**
12	11	4	600	13.2	10.3	9.5	7.7	6.3	5.2	DRSS12B4-4-**
12	11	4.5	600	18.1	14.2	13.1	10.7	9.0	7.7	DRSS12BG-4-**
14	11	3	315	5.1	3.8	3.4	2.6	1.9	1.4	DRSS14B3-4-**
14	11	4	550	10.7	8.3	7.6	6.0	4.7	3.9	DRSS14B4-4-**
14	11	4.5	600	14.7	11.4	10.5	8.4	7.0	6.0	DRSS14BG-4-**
16	11	3	275	3.9	2.8	2.5	1.8	1.2	0.7	DRSS16B3-4-**
16	11	4	470	8.8	6.6	6.0	4.6	3.5	2.8	DRSS16B4-4-**
16	11	4.5	595	11.9	9.0	8.2	6.5	5.4	4.5	DRSS16BG-4-**
18	11	3	245	2.9	1.9	1.6	1.0	-	-	DRSS18B3-4-**
18	11	4	400	7.1	5.2	4.6	3.4	2.5	1.9	DRSS18B4-4-**
18	11	4.5	505	9.7	7.2	6.5	5.0	4.1	3.4	DRSS18BG-4-**
20	11	3	225	2.0	1.1	0.9	-	-	-	DRSS20B3-4-**
20	11	4	340	5.6	3.9	3.5	2.4	1.5	1.1	DRSS20B4-4-**
20	11	4.5	430	7.9	5.7	5.1	3.7	3.0	2.4	DRSS20BG-4-**
20	11	5	540	10.5	7.7	7.1	5.7	4.7	3.9	DRSS20B5-4-**
20	7	5	600	17.7	13.5	12.5	10.3	8.6	7.3	DRSS20D5-4-**
22	11	4.5	370	6.3	4.4	3.8	2.6	2.0	1.6	DRSS22BG-4-**
22	11	5	460	8.6	6.1	5.6	4.5	3.6	3.0	DRSS22B5-4-**
22	7	5	600	13.4	9.9	9.2	7.5	6.2	5.1	DRSS22D5-4-**
25	11	4	240	2.8	1.5	1.1	-	-	-	DRSS25B4-4-**
25	11	4.5	290	4.4	2.7	2.2	1.2	0.8	-	DRSS25BG-4-**
25	11	5	365	6.2	4.1	3.7	2.8	2.2	1.7	DRSS25B5-4-**
25	7	5	565	11.1	8.0	7.4	5.9	4.8	4.0	DRSS25D5-4-**
30	11	4.5	205	1.7	-	-	-	-	-	DRSS30BG-4-**
30	11	5	245	3.1	1.3	1.1	0.6	-	-	DRSS30B5-4-**
30	7	5	395	7.0	4.5	4.0	3.1	2.4	1.8	DRSS30D5-4-**
35	7	5	270	3.8	1.7	1.4	0.8	-	-	DRSS35D5-4-**

### Catalog Number System

The catalog number for Dauer poles utilizes the following identification system.



### Catalog Number Example -

#### DRSS 20 B 4 - 4 - BH

Round Straight Steel, 20' Mounting Height, 11 Gauge, 4" Butt Diameter, No Taper, 4-Bolt Base, White Powder Coat Finish.

### EPA Notes:

Effective Projected Area (EPA) in square feet. EPA's calculated using wind velocity (mph) indicated in accordance with 2009 AASHTO LTS-5 using a 25-year design life. Maximum EPA is based on the luminaire weight shown. Increased luminaire weight may reduce the maximum EPA. If weight is exceeded, or if other design life or code is required, please consult the factory.

### Mounting Options

#### Side Drill Mount

Includes removable pole cap.

NOTE: A luminaire drilling template must be supplied at time of order.

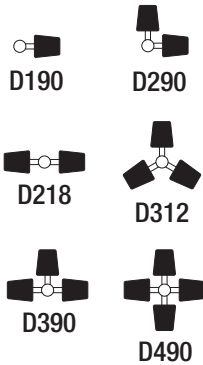


#### Tenon Mount

For Tenon Mount applications specify both Tenon diameter and length.



### Drill Mount Options



### Electrical Box



Box Only



GF1  
Duplex GFI  
Receptacle  
with Cover

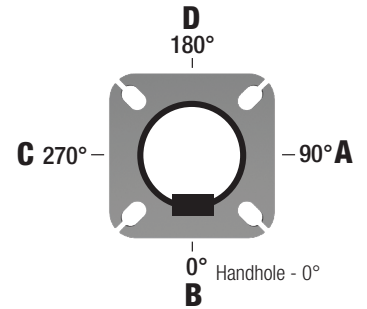


GF2  
Duplex GFI  
with In-Use  
Cover

Note: GFI Options must be specified in Accessories.

Note: Not Available in 3" Diameter.

### Pole Orientation



## DSSS



DRSS - SQ. STRAIGHT STEEL POLE	HEIGHT	GAUGE	BUTT DIA.	TOP DIA.	BASE STYLE	MOUNTING OPTIONS	ELECTRICAL BOX*	ACCESSORIES/OPTIONS*	FINISH
	8 = 8' 10 = 10' 12 = 12' 14 = 14' 16 = 16' 18 = 18' 20 = 20' 22 = 22' 25 = 25' 30 = 30' 35 = 35'	B = 11 Gauge  D = 7 Gauge	3 = 3" 4 = 4" G = 4.5" 5 = 5"	"-" = No Taper	4 = 4-Bolt Base	<b>DRILL MOUNT</b> D000 - No Drilling D190 - Std. "A" D290 - Std. "A" & "D" D218 - Std. "A" & "C" D390 - Std. "A", "D", & "C" D490 - Std. "A", "B", "C", & "D" DCUS - Custom*  <b>TENON</b> T204 - 2-3/8" O.D. x 4" T304 - 2-7/8" O.D. x 4" T356 - 3-1/2" O.D. x 6" T406 - 4" O.D. x 6" TCUS - Custom Tenon**	FA - 30" Up, "D" FB - 30" Up, "B" FC - 30" Up, "A" FD - 30" Up, "C" FE - 36" Up, "D" FF - 36" Up, "B" FG - 36" Up, "A" FH - 36" Up, "C" FI - 24" Up, "D" FK - 24" Up, "A" FL - 24" Up, "C" FZ - Custom**  * GFI Receptacle Options Available (Specify in Accessories) ** Specify Height and Orientation	C12 - Threaded 1/2" Coupling** C34 - Threaded 3/4" Coupling** C10 - Threaded 1" Coupling** EHH - Extra Handhole** GF1 - Duplex GFI Receptacle (WR) with Cover GF2 - Duplex GFI (WR) with In-Use Cover LAB - Less Anchor Bolts LPC - Less Pole Cap PAB - Pre-shipped Anchor Bolts VD2 - Vib. Damper - 2nd Mode  * Add all that apply (Example: CPL-LAB-VD1) ** Specify Location	<b>POWDER COAT COLORS</b> BA - Black Powder Coat BH - White Powder Coat BM - Dark Bronze Powder Coat BV - Dark Green Powder Coat GC - Gray Powder Coat XX - Special Colors*  <b>GALVANIZED</b> 1Q - Galvanized Only 1C - Black PC Over Galv. 1D - White PC Over Galv. 1B - D. Bronze PC Over Galv. 1Y - D. Green PC Over Galv. 1J - Gray PC Over Galv. XX - Special PC Over Galv.*  * Provide RAL # or Sample Color Chip