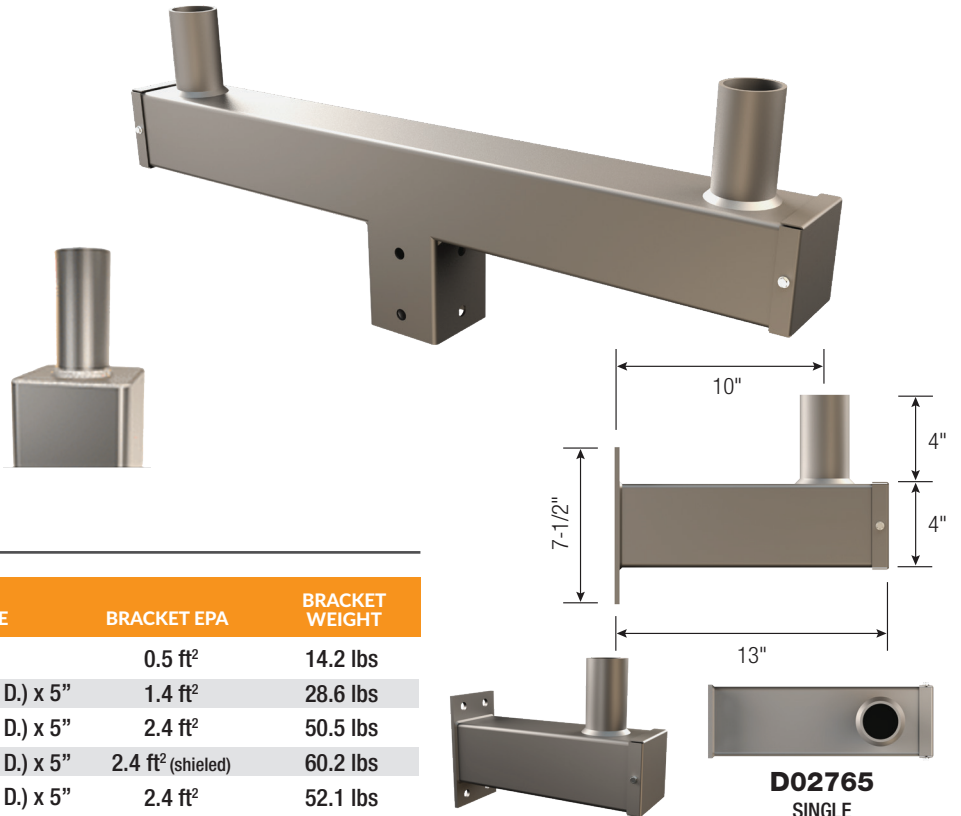


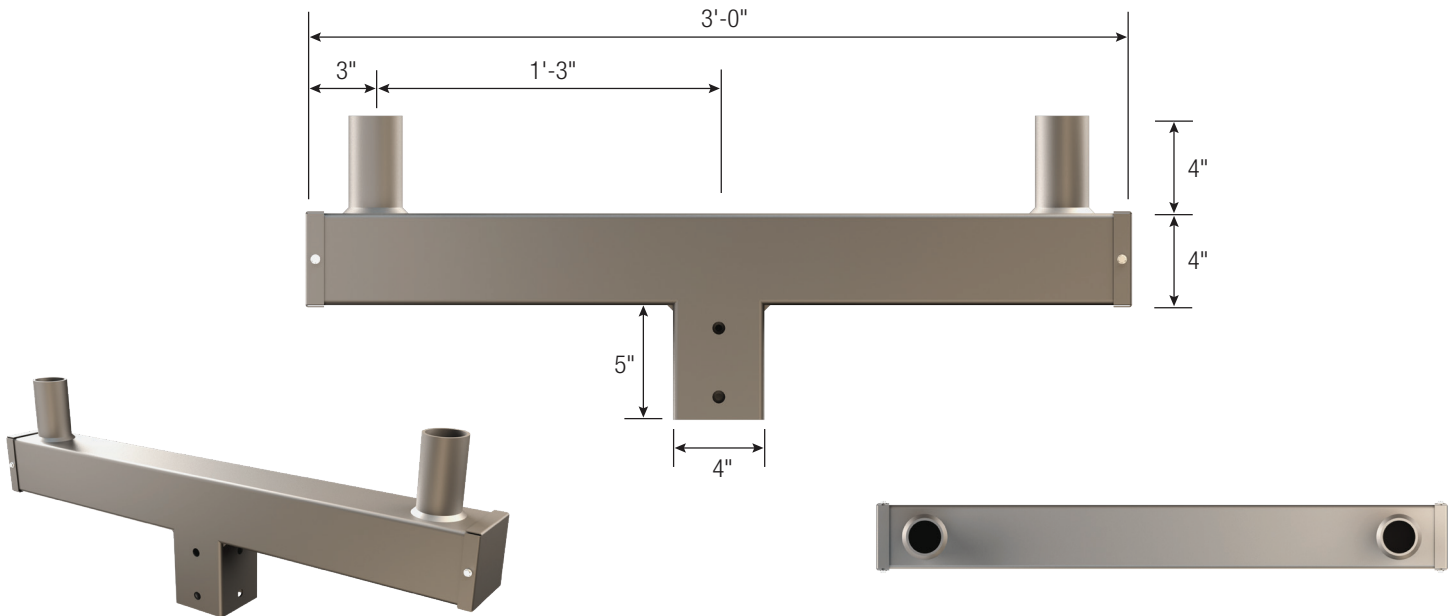


## STEEL SQUARE ARMS

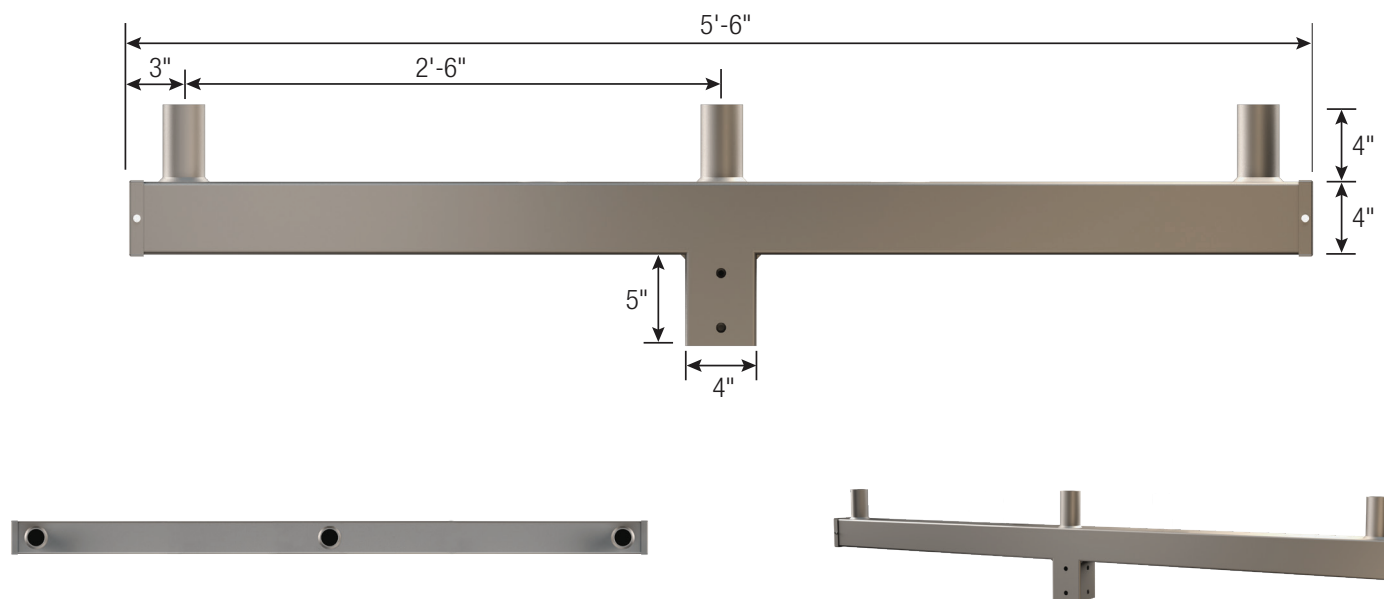
Steel Square Arms are constructed of weldable-grade, cold-rolled, commercial quality 11 gauge carbon steel tubing conforming to ASTM A500 Grade B. All welds shall conform to AWS D1.1 using ER70S-6 electrodes. Stainless Steel Mounting Hardware is included. Center Hubs are 4" Square. Custom designs including varying Square Arm diameters, Arm dimensions, and Center Hub sizes to accommodate varying Tenons are available. Please contact DAUER for more information.



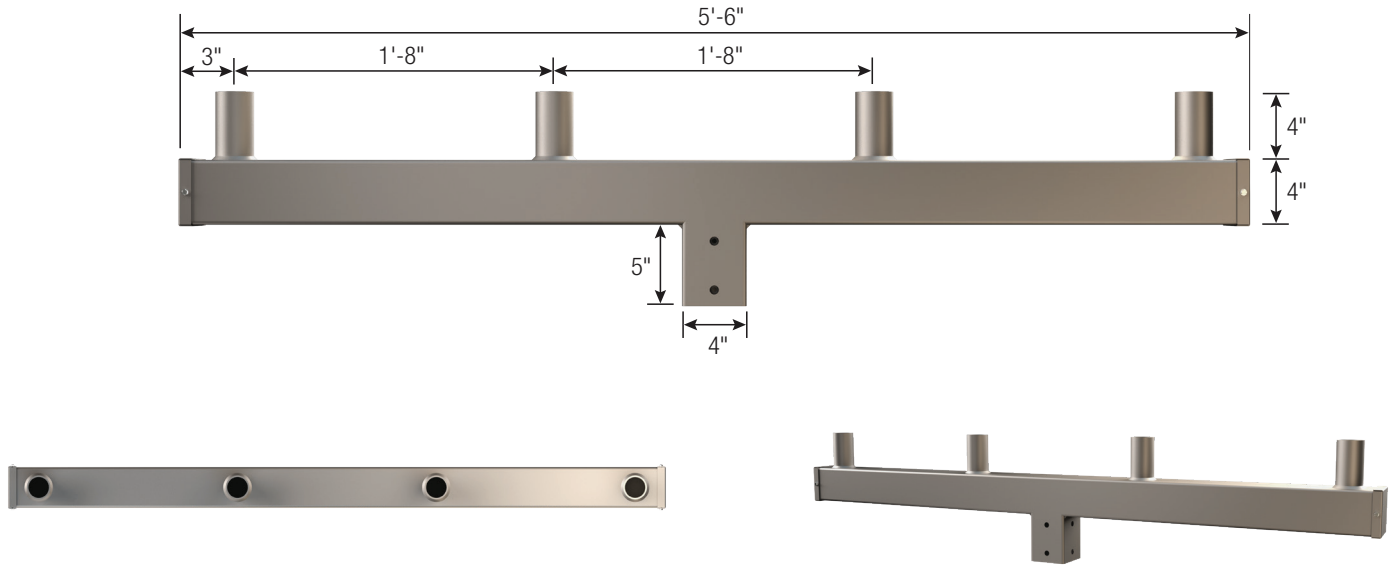
CATALOG NUMBER	DESCRIPTION	USE WITH TENON SIZE	BRACKET EPA	BRACKET WEIGHT
D02765	Single	—	0.5 ft <sup>2</sup>	14.2 lbs
D01850	Double	2" NPS (2 3/8" O. D.) x 5"	1.4 ft <sup>2</sup>	28.6 lbs
D01851	Triple 180°	2" NPS (2 3/8" O. D.) x 5"	2.4 ft <sup>2</sup>	50.5 lbs
D01852	Quad 90°	2" NPS (2 3/8" O. D.) x 5"	2.4 ft <sup>2</sup> (shielded)	60.2 lbs
D01871	Quad 180°	2" NPS (2 3/8" O. D.) x 5"	2.4 ft <sup>2</sup>	52.1 lbs



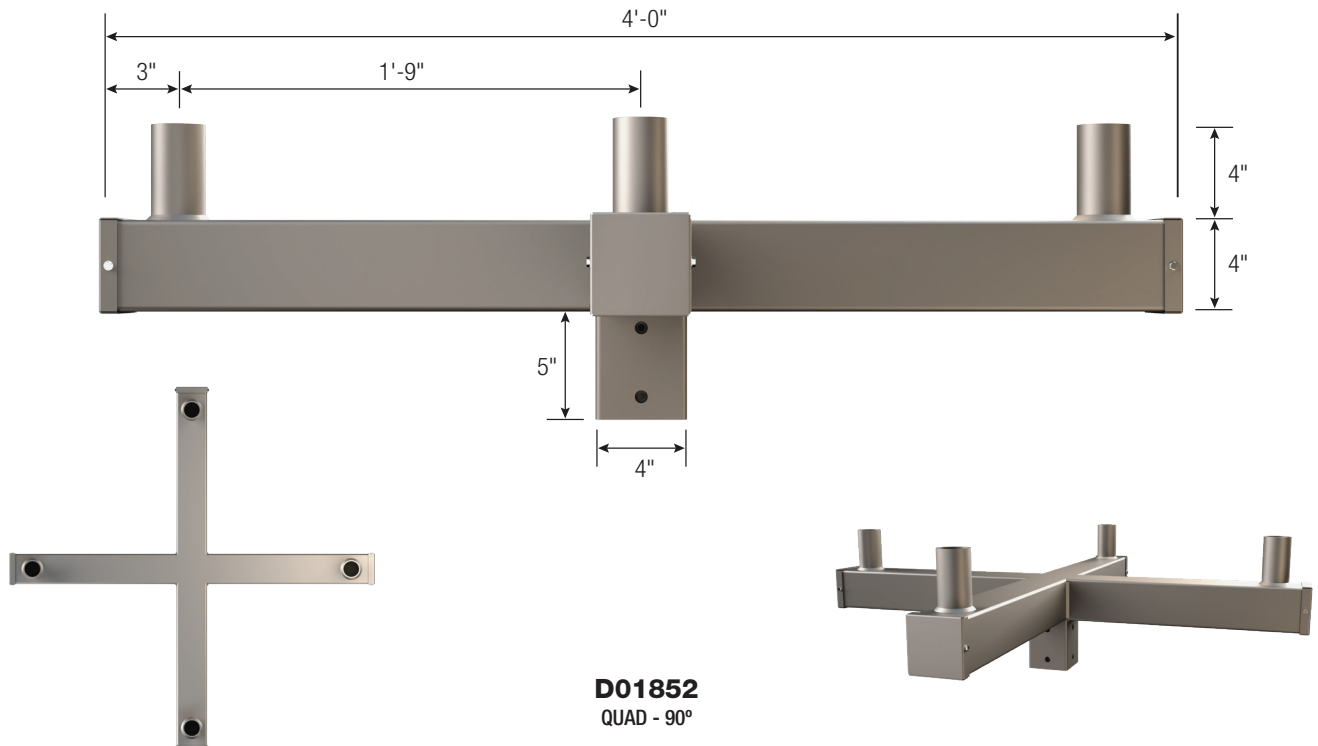
**D01850**  
DOUBLE



**D01851**  
TRIPLE -180°



**D01871**  
QUAD - 180°



**D01852**  
QUAD - 90°