



DFH259

DFH232

DFH233

## PRODUCT DESCRIPTION/CITY HALL SERIES

These post top lights provide a subtle but stylish look for any commercial application. They are designed to save energy and reduce installation time and are perfect for your architectural street lighting needs.



## KEY FEATURES/DIMENSIONS

- 120-277V Input Voltage, 50/60Hz
- Driver UL Class 2, Power Factor >.90
- Ambient operating temperature -40 °C (-40 °F) to +40 °C (105 °F)
- Estimated 50,000 hrs L<sub>70</sub>
- 5 Year Warranty
- Posts Sold Separately
- Integral Surge Supression

**LISTING**

- UL listed

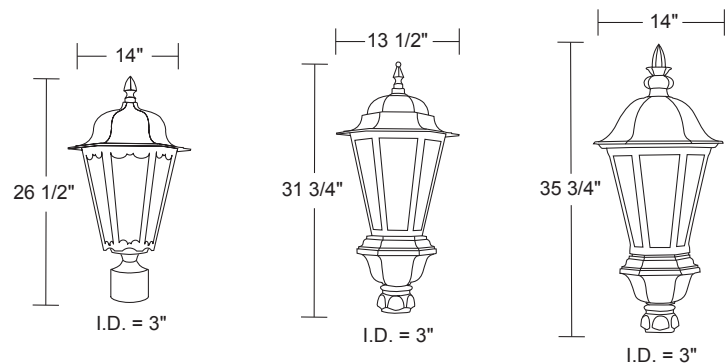
**HOUSING**

- Cast aluminum construction
- Thermal protection

**OPTIONS**

- Optional ground surge protection

### LINE DRAWINGS/DIMENSIONS



Specifications subject to change without notice.

## SPECIFICATION

### EXAMPLE: DFH259-L4000C-BF-B3

MODEL No.	LIGHT SOURCE		BODY	LENS	OPTIONS
DFH259	120-277V LED	CCT	B-Black	GLASS	ACRYLIC BLACK-OUT PANELS
	L4000-40W 4000lm	C-4K (Standard)	W-White	F-Frosted	B1 -One Panel
	L6000-60W 6000lm	W-3K (Special Order)	Z-Bronze		B2-Two Panels
		B-5K (Special Order)			B3-Three Panels

### EXAMPLE: DFH232-L4000C-BW-B3

MODEL No.	LIGHT SOURCE		BODY	LENS	OPTIONS
DFH232	120-277V LED	CCT	B-Black	ACRYLIC	ACRYLIC BLACK-OUT PANELS
	L4000-40W 4000lm	C-4K (Standard)	W-White	W-White	B1 -One Panel
	L6000-60W 6000lm	W-3K (Special Order)	Z-Bronze	C-Clear Prismatic	B2-Two Panels
DFH233		B-5K (Special Order)			B3-Three Panels