



FEATURES & SPECIFICATIONS

CONSTRUCTION

- Integrative aluminum frame provides a durability structure
- 5 Wattage and 5 CCT selectable switches are integrated on the driver
- Minimize Stock, 1SKU can cover Max. of 25 Models

ELECTRICAL

- Input Voltage: 120-277Vac 50/60Hz
- 0-10V dimming
- THD≤20%, PF≥0.9

APPLICATIONS

- Offices, retail, Schools, restaurants, residential. and hospitality applications.

INSTALLATION

- Fixture is suitable for recessed mounting with T-bar, and accessories for suspension and surface mounting are also available. Use in ambient temperatures ranging from -20°C to 45°C

LISTING

- ETL listed, suitable for damp location.
- DesignLights Consortium® (DLC) Premium.

WARRANTY

- 5-year limited warranty

SPECS AT A GLANCE

| Configuration | LD-B2-S40-3565 | LD-B4-S72-3565 | LD-B14-S40-3565 |
|----------------|---|---|---|
| CCT (K) | 3500K-4000K-5000K-5700K-6500K(Switchable) | | |
| Wattage (W) | 15W/20W/25W/ 30W/40W Wattage Adjustable | 30W/40W/50W/ 60W/72W Wattage Adjustable | 15W/20W/25W/ 30W/40W Wattage Adjustable |
| Lumens (lm) | 1,950-5,000LM | 3,900-9,000LM | 1,950-5,000LM |
| Efficacy (LPW) | Up to 130 | | |
| CRI | ≥80 | | |
| Input Voltage | 120-277VAC, 50/60Hz, 0-10V Dimming | | |
| Operating Temp | -20°C to 45°C | | |
| Certifications | ETL DLC 5.1 Premium | | |
| Warranty | 5 Years | | |

*Nominal Wattage (Switchable)

ORDERING INFORMATION

| Model | Description |
|----------------|--|
| LDB2-S40-3565 | 2' x 2' Backlit Panel, Power Switchable 15W/20W/25W/30W/40W, Color Switchable 3500K/4000K/5000K/5700K/6500K, Sensor Base |
| LDB4-S72-3565 | 2' x 4' Backlit Panel, Power Switchable 30W/40W/50W/60W/72W, Color Switchable 3500K/4000K/5000K/5700K/6500K, Sensor Base |
| LDB14-S40-3565 | 1' x 4' Backlit Panel, Power Switchable 15W/20W/25W/30W/40W, Color Switchable 3500K/4000K/5000K/5700K/6500K, Sensor Base |

MULTIPLE SENSOR SOLUTIONS



| Model Number | Sensor Type | Controller | Controller |
|--------------|-------------|------------|----------------------|
| HD08VR-MB-1 | Microwave | Audio Jack | Remote Control HD06R |
| HD08VR-MB-1 | Microwave | Audio Jack | HAISEN BLUE APP |
| HD08VR-PB-1 | PIR | Audio Jack | Remote Control HD06R |
| HD08VR-PB-1 | PIR | Audio Jack | HAISEN BLUE APP |

MULTIPLE EMERGENCY SOLUTIONS



Emergency LED Driver (HAISEN)

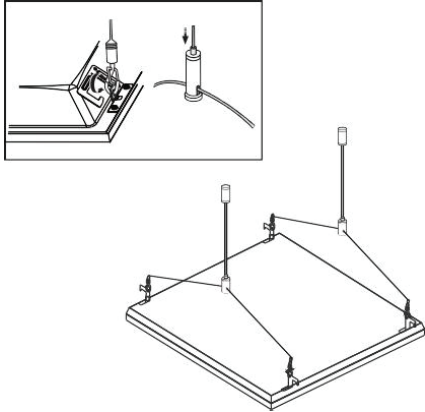
Emergency LED Driver, 9W, 90-Min Battery

Emergency LED Driver, 15W, 90-Min Battery

FLEXIBLE INSTALATION OPTIONS

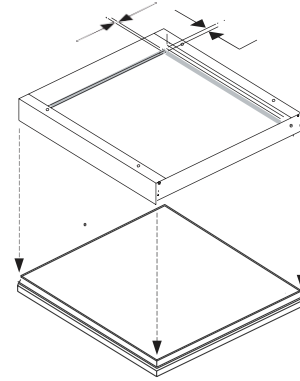
Cable Mount Kit

Optional Y cable mounting kit allows for suspended installations from any ceiling type. (2 pcs/kit)

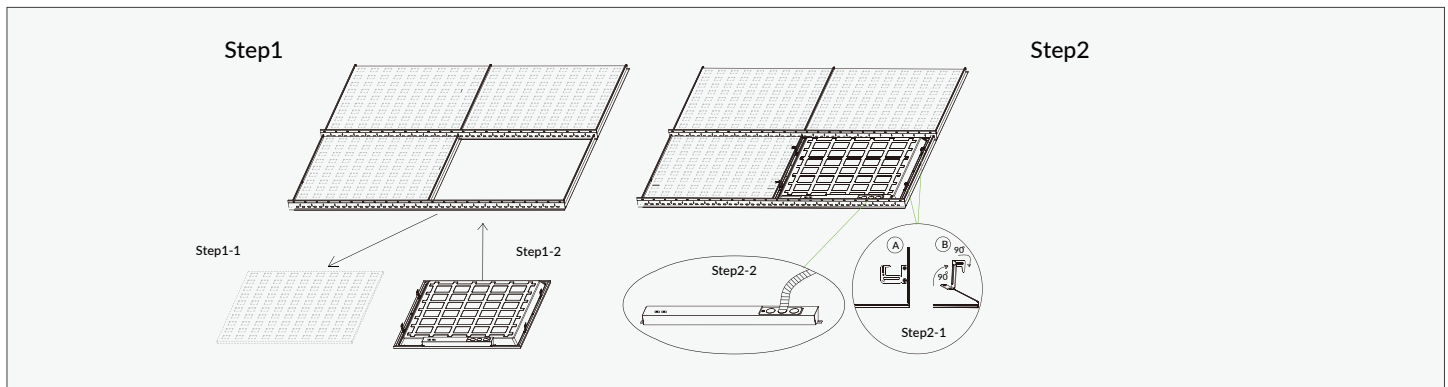


Surface Mount Kit

Optional surface mount kit allows for installation on plaster or other hard ceilings.



INSTALATION INNSTRUCTIONS



PACKING INFORMATION

| Size/ft | L /inch | W /inch | H /inch | QTY/ctn | G.W./lbs | CTN QTY/pallet |
|---------|---------|---------|---------|---------|----------|----------------|
| 2x2' | 25.2 | 25.2 | 6.1 | 4 | 16.2 3 | 144pcs |
| 2x4' | 49.4 | 25.2 | 6.1 | 4 | 39.3 0 | 72pcs |
| 1x4' | 49.4 | 13.7 | 6.1 | 4 | 20.2 0 | |