



FEATURES & SPECIFICATIONS

CONSTRUCTION

- Lens Material: Polycarbonate
- Housing: Die-cast Aluminum
- Finish Colors: Black/ white/ brown

ELECTRICAL

- Working voltage 120-277V 50/60Hz
- Operating Temperature Range: -30°C to +50°C .
Note: Operating with emergency battery temperature range: 5°C to 45°C (+41°F - + 113°F).

PERFORMANCE

- IP Rating: IP65
- Sensor: Microwave motion sensor/ PIR sensor photocell
- THD: <20%
- Power Factor: ≥0.95
- High efficacy up to 135LM/W
- Life Time >50,000Hrs
- Surge Protection: LN-PG :5KV, L-N:4KV

APPLICATIONS

- Parking garages, canopies, storage areas, outdoor aisles, walkways, entryways

INSTALLATION

- Pendant mounting, surface mounting

LISTING

- UL listed.
- Design Lights Consortium® (DLC) Premium

WARRANTY

- 5-year limited warranty

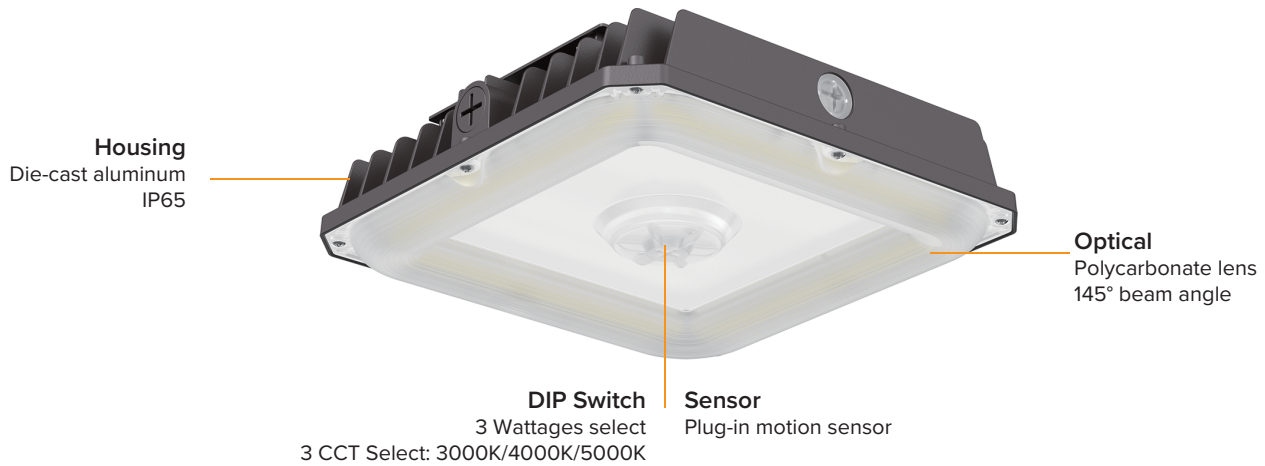
SPECS AT A GLANCE*

| | |
|----------------|---|
| Configuration | LD-CP75W-CS-3CCT-A |
| CCT (K) | 3000K 4000K 5000K Color Tunable |
| Wattage (W)* | 75W/60W/40W wattage adjustable |
| Lumens (lm) | 75W= 10125 lumens 60W= 8100 lumens 40W= 5400 lumens |
| Efficacy (LPW) | Up to 135lm/w |
| CRI | >80 |
| Input Voltage | 120-277V |
| Operating Temp | -30°C-50°C |
| Certification | UL&DLC 5.1 premium |
| Warranty | 5 year limited warranty |

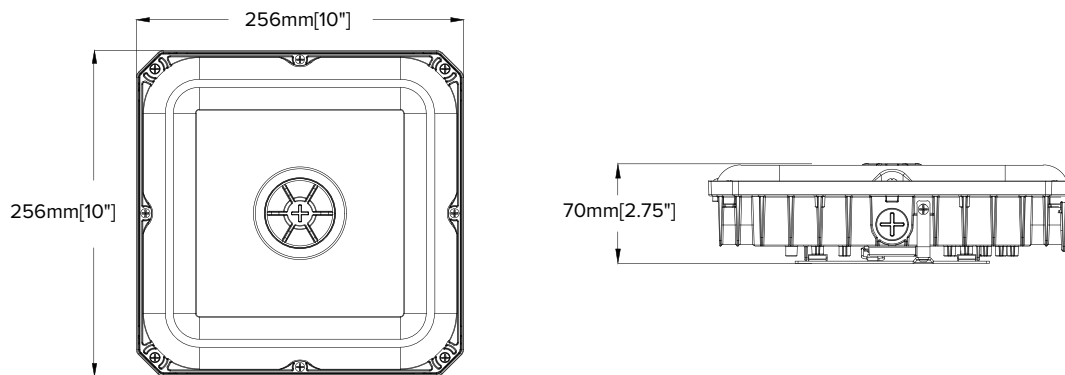
*Nominal Wattage (Switchable)

ORDERING INFORMATION

| Model | Description |
|--------------------|--|
| LD-CP75W-CS-3CCT-A | Canopy , Power Switchable 75W/60W/40W, Color Switchable 3000K/4000K/5000K 120-277VAC |



DIMENSIONS



ACCESSORIES



Microwave motion sensor



Photocell

PACKING INFORMATION

| Power | Inner Box Size (L×W×H) | Outer Carton Size (L×W×H) | QTY/ctn | G.W./pcs | G.W./ Carton | CTN QTY/ pallet |
|-------|------------------------|---------------------------|---------|----------|--------------|-----------------|
| 75W | 11.5"X11.5"X3.95" | 17.32"X12.01"X12.20" | 4 | 5.78lbs | 23.06lbs | 192pcs |