



FEATURES & SPECIFICATIONS

CONSTRUCTION

- Easy to open the strip light for quick installation.
- Non-Yellow PC Lens.
- Linkable design for continuous row mount
- 4FT and 8FT Options

ELECTRICAL

- Input Voltage: 120-277VAC
- Compatible with standard 0-10V dimmer
- Transparent end cap to make light without shadow when continuous row installation
- Wattage & CCT switchable through DIP-switches.
- Emergency battery, motion sensor, surface mounted kit for option

APPLICATIONS

- Off ices, retail, schools, restaurants, healthcare, residential, and hospitality applications.

INSTALLATION

- Suspend the strip light by using suspension wire.
- Continuous row installation
- Surface mounted

LISTING

- Comply with the requirements of the Standard(s) for Luminaires (CAN/CSA-C22.2 No.250.0) and are identified with the cETL Listed Mark
- DesignLights Consortium®(DLC) Premium.

WARRANTY

- 5-year limited warranty

SPECS AT A GLANCE

| Configuration | LD-ST03-4FT40WS-3545K | LD-ST03-8FT90WS-3545K |
|----------------|--|---|
| CCT (K) | 3500K-4000K-5000K Tunable | |
| Wattage (W)* | 24W/32W/40W | 64W/75W/90W |
| Lumens (lm) | 40W= 5,200lm 32W= 4,160lm 24W= 3,120lm | 90W= 11,700lm 75W= 9,750lm 64W= 8,320lm |
| Efficacy (LPW) | 130 lm/w | |
| Size | 4FT | 8FT |
| CRI | >80 | |
| Input Voltage | 120-277V | |
| Operating Temp | -20°C-45°C | |
| Certifications | ETL & DLC Standard | |
| Warranty | 5-year limited warranty | |

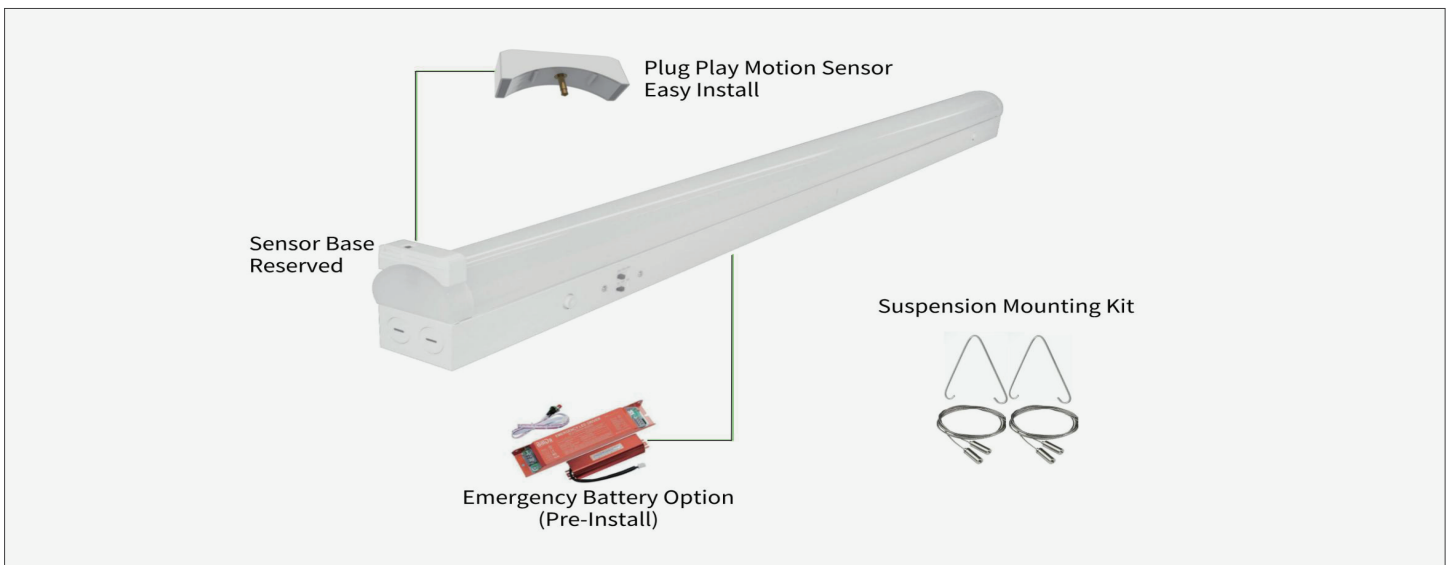
*Nominal Wattage (Switchable)

ORDERING INFORMATION

Example: LD-ST03-4FT40WS-3545K

| Brand | Size | Wattage | CCT | Motion Sensor & Emergency Backup | Input Voltage |
|-------|-----------------------------|---|-----------------------------------|---|---------------|
| LD | 2F-e2FT 4F-4FT 8F-8FT | 20 10W/15W/24W 45 20W/30W/45W 90 70W/80W/90W | 3500-4000-5000K CCT Selectable | M: Motion Sensor B: Emergency Backup N: Non-motion & emergency | 120-277 |

DETAIL

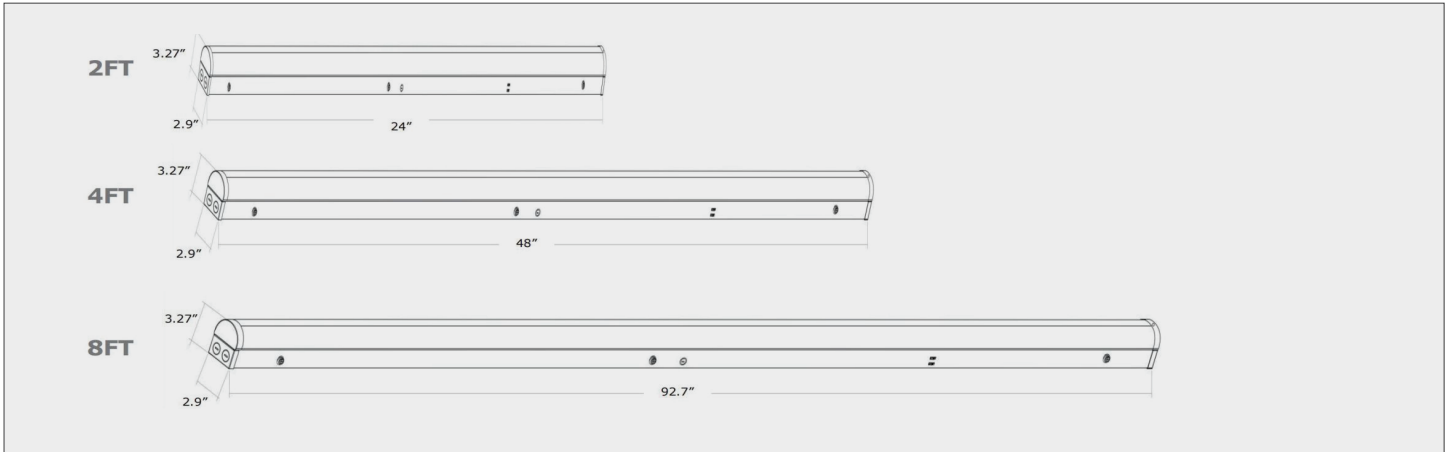


Caution:

The Linear Strips can be connected Max. 450W

Max. Connection 4FT: 8 pcs
8FT: 4 pcs

DIMENSIONS



ACCESSORIES

- Emergency Battery
- Plug-in Microwave Sensor

- Remote Controller
- Microwave & Bluetooth Sensor

- Junction Box Cover Plate
- Linkable Connector



Curved Plug-in Microwave Sensor

- Curved design special for strip light
- Detection Distance: $\geq 3\text{m}/9\text{ft}$
- Tiny Microwave Sensor with/out Bluetooth-Mesh
- Audio-Jack Classic Connection, 0-10V Dimming, with Daylight Harvesting



Internal Emergency Battery

- UL listed approved
- Emergency power: 8W
- Charging time: 24 hours
- Illumination time: 90 minutes



Remote Controller

- LCD screen display
- Memory and apply function
- Universal smart controller for dimmable sensor



Junction Box Cover Plate

- To cover the ceiling hole
- Color: White electrical box cover



Linkable Connector

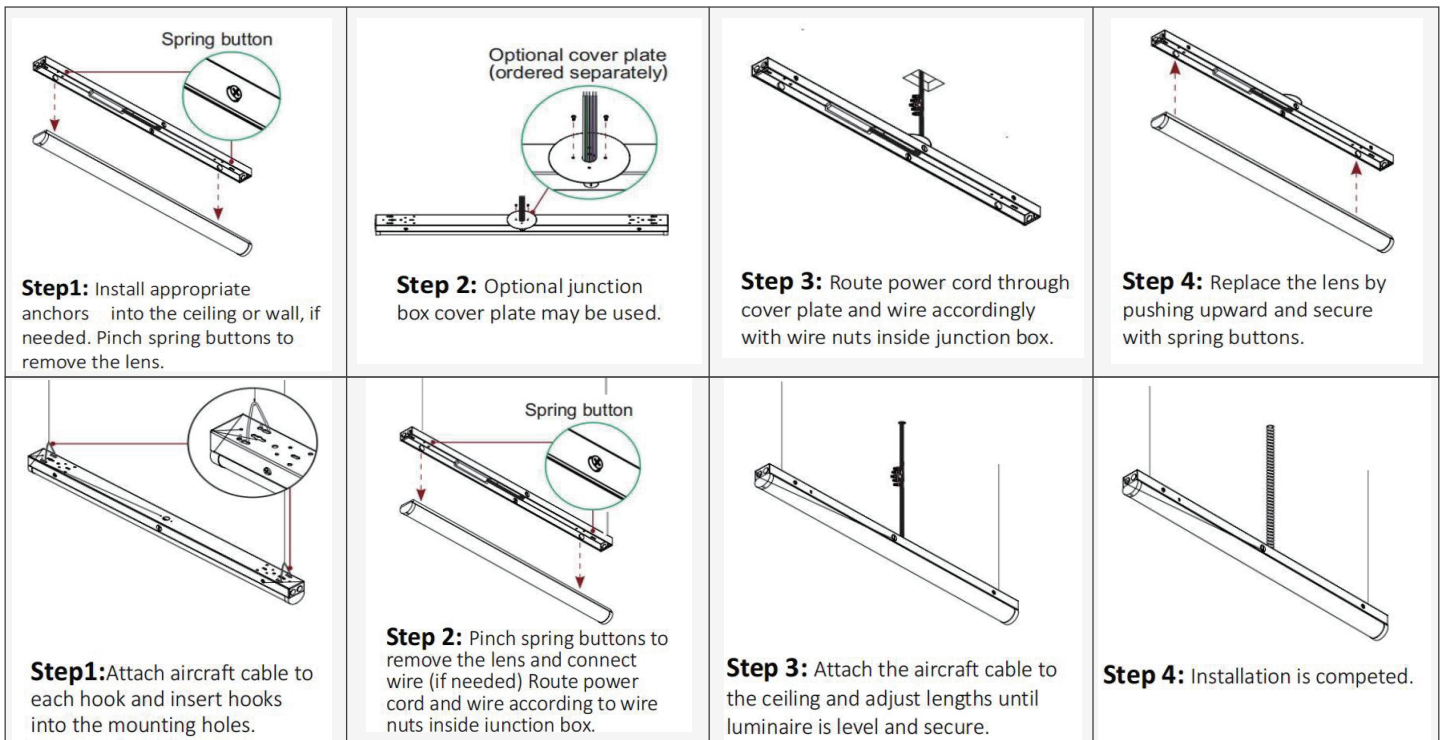
- For continuous row installation
- Color: White steel



Suspension Kit

- For suspend the strip light
- Material: stainless steel

LINKABLE PLATE (SOLD SEPERATELY)



PACKING INFO

| SIZE | 4PCS/CARTON | | | CONTAINER | | |
|------|--------------------|----------|----------|------------|------------|-----------|
| | DIMENSION(INCH) | N.W(LBS) | G.W(LBS) | 20'GP(PCS) | 40'GP(PCS) | 40HQ(PCS) |
| 2ft | 25.61"x7.80"x7.92" | 8.82 | 11.02 | 4330 | 8968 | 10514 |
| 4ft | 50.79"x7.48"x7.87" | 16.53 | 18.08 | 2284 | 4732 | 5548 |
| 8ft | 98.43"x7.91"x7.87" | 35.27 | 39.68 | 1114 | 2308 | 2706 |