

FEATURES & SPECIFICATIONS

CONSTRUCTION

- Whole PC material body, excellent stress and UV resistance. Waterproof, dust-proof and anti-corrosion 4FT and 8FT Options

ELECTRICAL

- Input Voltage: 120-277vac
- IP 65 waterproof grade
- Wattage and CCT tun-able
- High lumen efficient 125lm/w on average
- Motion sensor, emergency function for option

APPLICATIONS

- Offices, retail, supermarket, schools subway& train station, warehouse healthcare, residential, and hospitality applications

INSTALLATION

- Hanging and ceiling installation

LISTING

- Comply with the requirements of the Standard(s) for Luminaires (CAN/CSA-C22.2No.250.0) and are identified with the cETL

WARRANTY

- 5-year limited warranty

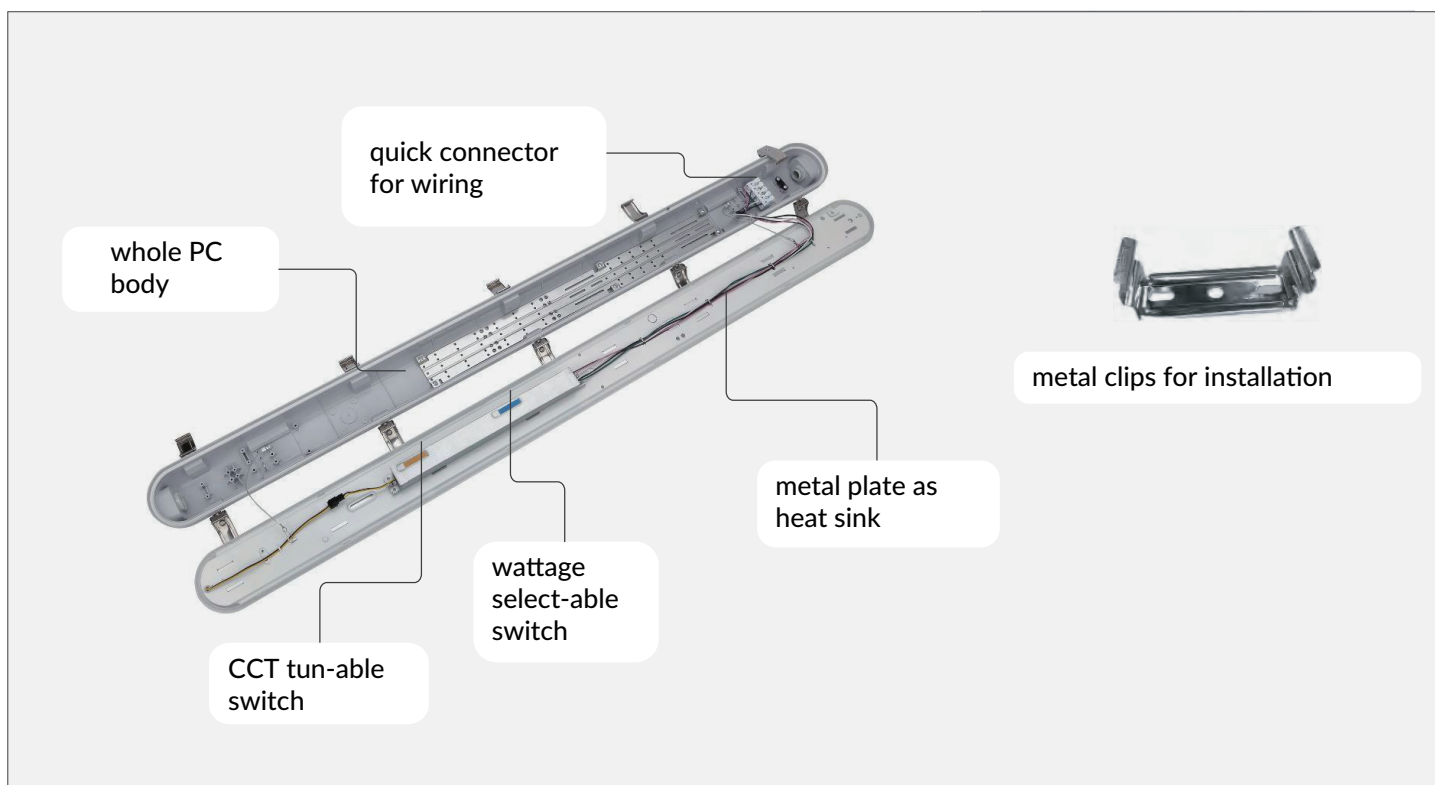
SPECS AT A GLANCE

Configuration	LD-TP4F-L50PDN	LD-TP8F-S80PDN
CCT (K)	5CCT Selectable: 3500K-4000K-5000K-5700K-6500K	
Wattage (W)	25W/30W/35W/40W/50W	40W/50W/60W/70W/80W
Efficacy (LPW)	125lm/w	
Size	4FT	8FT
CRI	>80	
Input Voltage	120-277V AC	
Operating Temp	-20°C-45°C	
Certifications	ETL DLC 5.1 Premium	ETL
Warranty	5-year limited warranty	

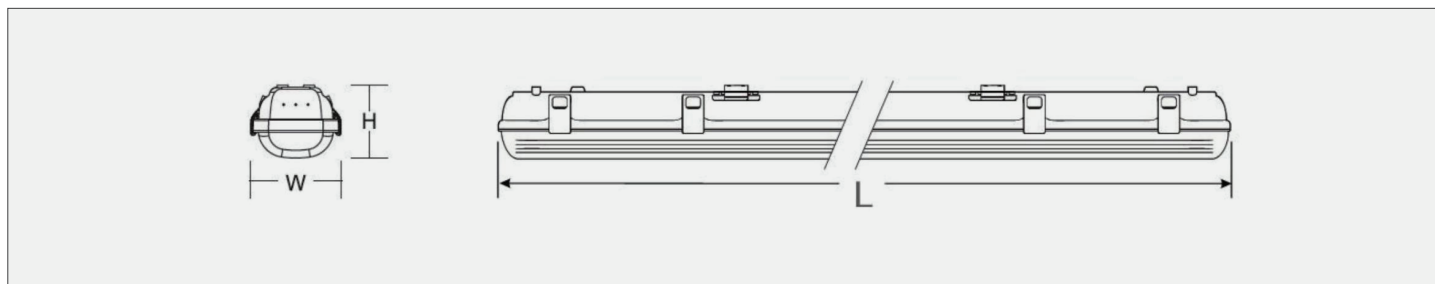
*Nominal Wattage (Switchable)

ORDERING INFORMATION

Brand	Size	Wattage	CCT	Motion Sensor & Emergency Backup	Input Voltage
LD-TP4F LD-TP8F	4F 4FT 8F 8FT	50 25W-30W-35W - 40W-50W 80 40W-50W-60W - 70W-80W	3500K 4000K 5000K 5700K 6500K CCT Selectable	M: Motion Sensor B: Emergency Backup N: Non-motion & emergency	120-277Vac







MULTIPLE SENSOR SOLUTIONS



Length	Width	Height
1200mm/47"	95mm/3.74"	80mm/3.15"
2400mm/94"	95mm/3.74"	84mm/3.15"

ACCESSORIES

	<p>Metal clips</p> <ul style="list-style-type: none"> • Stainless steel material • 2pcs for 4FT light,4pcs for 8FT light
	<p>Connection terminal</p> <ul style="list-style-type: none"> • waterproof IP65 • Lead the connection wires inside the lamp
	<p>Metal hook</p> <ul style="list-style-type: none"> • Stainless steel material • For hanging light • 2pcs for 4FT light,4pcs for 8FT light
	<p>Screws bag</p> <ul style="list-style-type: none"> • All the screws will be used for installation are packed in this bag

INSTALLATION

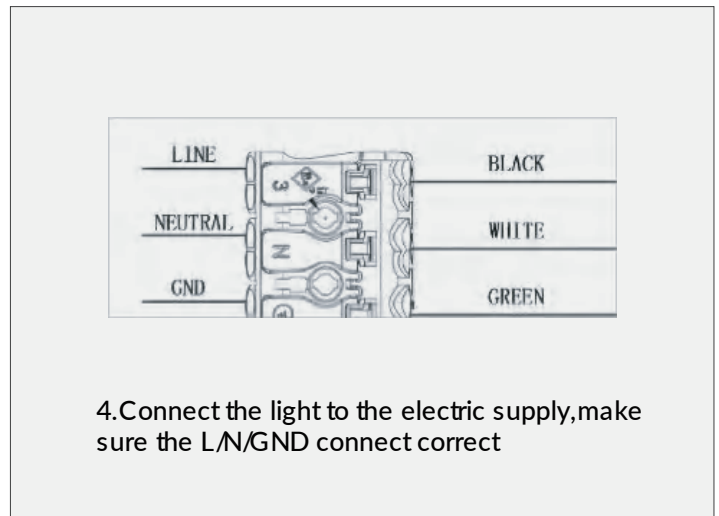
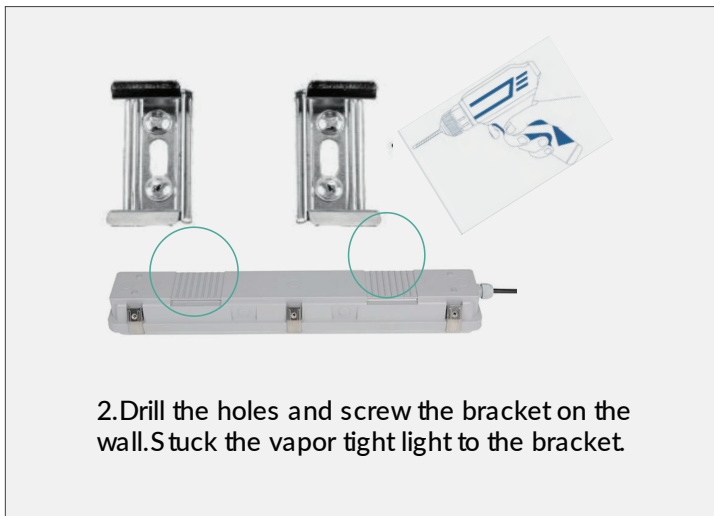
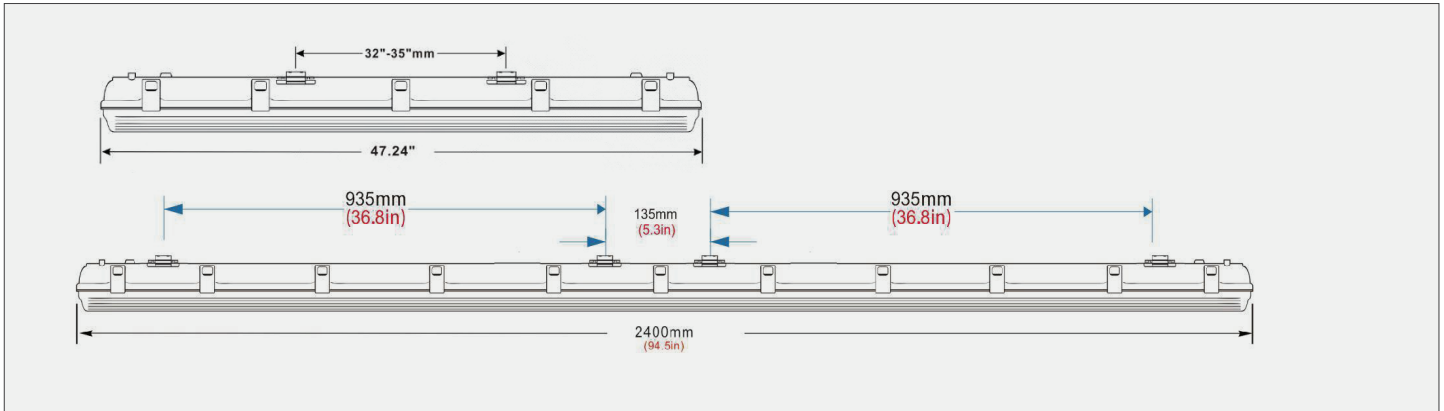
- Slide the switches on the driver to select the desired CCT and wattage before installation.

Dimming Wiring Diagrams

This vapor tight light is compatible with 0-10V output dimming controls.

	
<p>CCT tun-able switch</p> <p>wattage select-able switch</p>	<p>LINE BLACK</p> <p>NEUTRAL WHITE</p> <p>GND GREEN</p> <p>DIM+ PURPLE</p> <p>DIM- GREY/PINK</p> <p>LED Vapor Tight Light</p>

Surface Mounting



PACKING INFO



SIZE	Carton size (inch)	N.W(LBS)	G.W(LBS)	QTY/CTN	20'GP(PCS)	40GP (PCS)
4FT	47.83"*12.6"*7.87"	11.2	14	6pcs	2166	4404
8FT	94.88"*12.64"*8.46"	23.4	28.59	6pcs	1014	2058