



## FEATURES & SPECIFICATIONS

### Construction

- Housing: Die-cast Aluminum
- Lens: Polycarbonate
- Easy to install and operate

### Electrical

- High efficacy up to 160lm/W
- AC120-277V, 0-10V dimming
- Surge Protection: 6KV
- CCT & Wattage Selectable
- Light Distribution: Type III
- Waterproof: IP65 rated

### Applications

- Factory, Warehouse, Walkways, Hallways, Outdoor Commercial, Outdoor Residential

### Installation

- Microwave motion sensor and emergency driver available
- Automated Dusk to Dawn photocell functionality
- Wall Mount
- Five 1/2" knockouts: one on each side for convenient installation

### Warranty

- 5 years warranty

### SPECS AT A GLANCE\*

Configuration	LD-WP11F-120W-S4W3C
Input Voltage	120-277V
Wattage (W)*	60W/90W/100W/120W Wattage Selectable
Lumens (lm)	max. 19200lm
Eacy (LPW)	Up to 160lm/w
CCT (K)	3000K/4000K/5000K Tunable
CRI	>80
Operating Temp	-40°C to +50°C
Certification	UL DLC Premium
Warranty	5 year limited warranty

\*Nominal Wattage (Switchable)

ORDERING INFORMATION

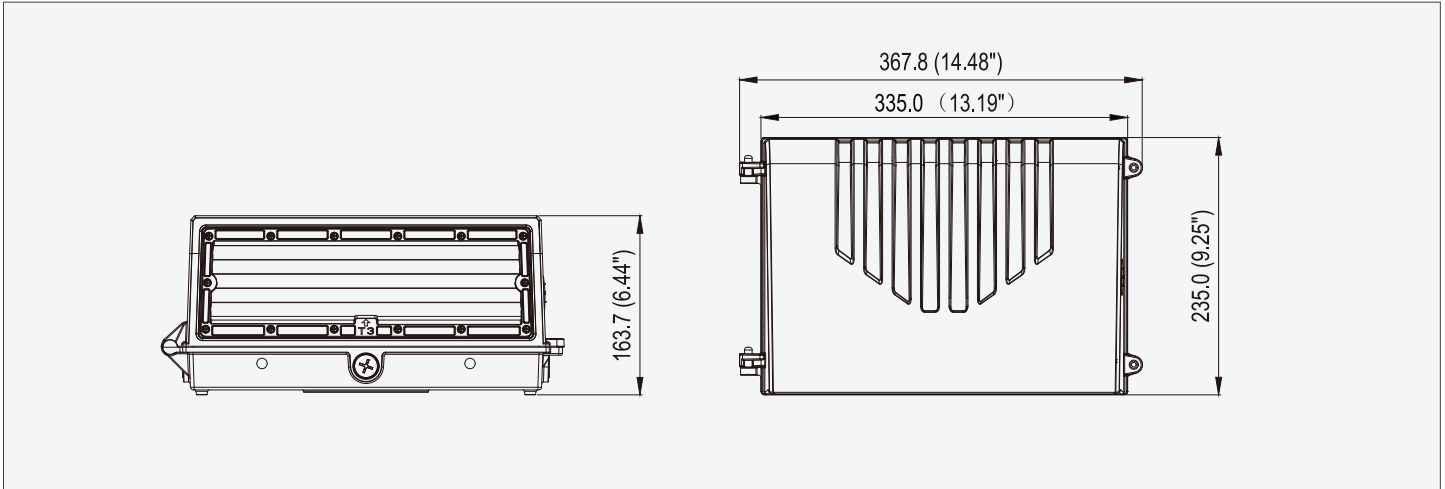
Example: J-WP11F-120W-S4W3C

Brand	Wattage xxxW	Input Voltage	Lighting Distribution	Controller
WP11F Series	60W 90W 100W 120W	L= AC120-277Vac H= AC277-480Vac	T3=Type III	"f" can be any alphanumeric for CCT, 3000K/4000K/5000K "g" can be "W" or blank for dimming module provided for not.

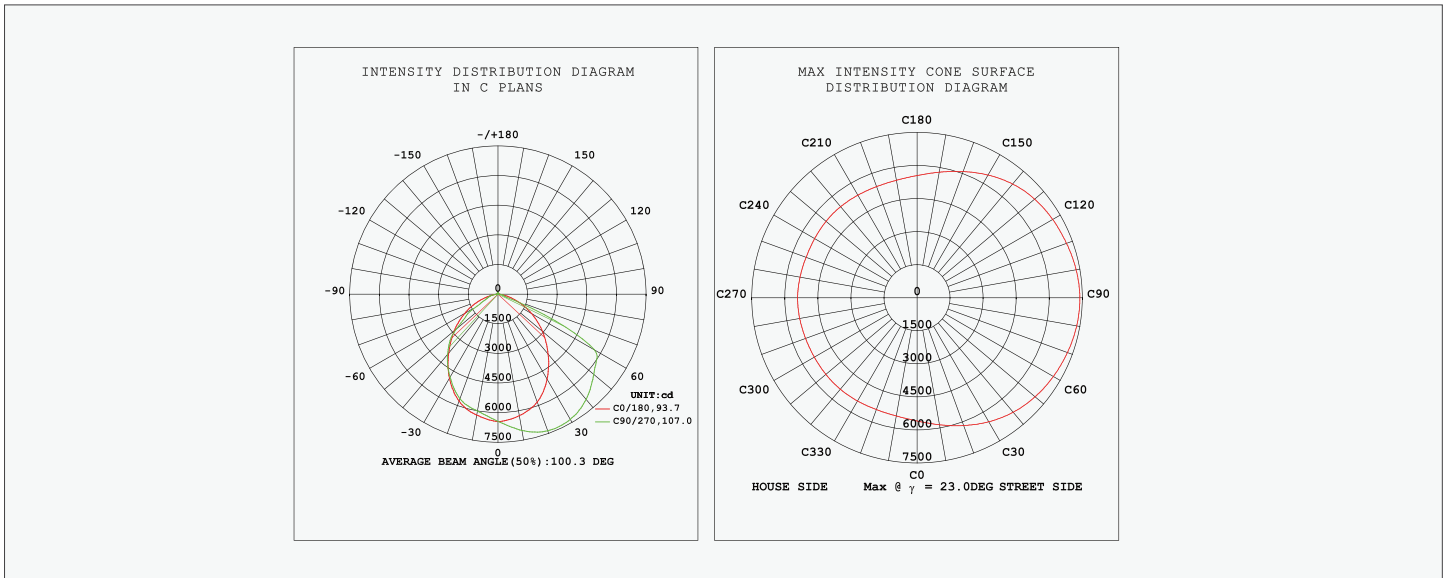
DETAIL



## DIMENSIONS



## PHOTOMETRICS



## PACKING/WEIGHT

Part NO.	Outer Carton Size	Qty/Carton(pcs)	Net weight(lbs)	Gross weight(lbs)
LD-WP11F-120W	16.73*11.42*8.54 inches	1	5.94 lbs	7.7 lbs