

FEATURES & SPECIFICATIONS

CONSTRUCTION

- Housing: Die-cast Aluminum
- Lens: Polycarbonate

ELECTRICAL

- High efficacy up to 170lm/W, 500W up to 160lm/w
- AC120-277V, AC277-480V, 0-10V dimming
- Surge Protection: L/N-P 6KV for 150W, 10KV Surge Protection for 300W & 500W
- CCT & Wattage Selectable
- Light Distribution: (T3).
- Waterproof: IP65 rated

APPLICATIONS

- Parking lots, Roadways, Outdoor applications

INSTALLATION

- 3 kinds of mounting brackets available (SF, DI, TR)
- Plug-in and Zhaga socket microwave motion sensor available (Factory)
- Photocell dusk to dawn function Optional

WARRANTY

- 5 years warranty

SPECS AT A GLANCE

| Configuration | LDAR09-150W-L-PC-3CCT-T3 LDAR09-150W-H-PC-3CCT-T3 | LDAR09-300W-L-PCX-3CCT-T3 LDAR09-300W-H-PCX-3CCT-T3 | LDAR09-500W-L-DW5C3T3 |
|--------------------|--|--|--|
| Input Voltage | AC120-277V AC277-480V | AC120-277V AC277-480V | AC120-277V |
| Wattage (W)* | 100W/120W/150W wattage adjustable | 200W/240W/300W wattage adjustable | 300W/350W/400W/450W/500W wattage adjustable |
| Lumens (lm) | max.25500lm | max.51000lm | max.80000lm |
| Eacy (LPW) | Up to 170lm/w | | Up to 160lm/w |
| Light Distribution | T3 | | |
| CCT (K) | 3000K/4000K/5000K Tunable | | |
| CRI | >80 | | |
| Operating Temp | -40°C-50°C | | |
| Certification | UL DLC Premium | | |
| Warranty | 5 year limited warranty | | |

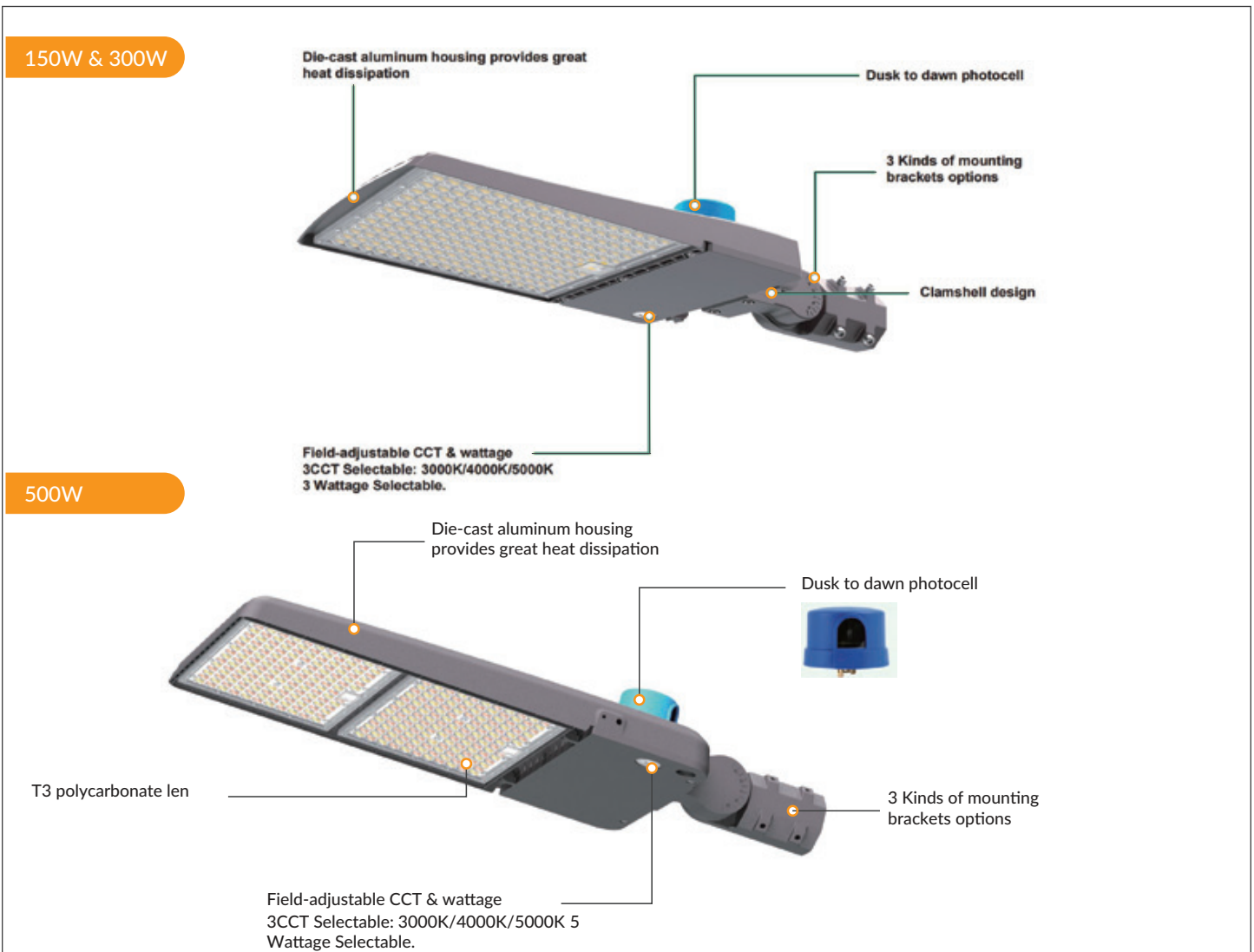
*Nominal Wattage (Switchable)

ORDERING GUIDE

Example: LDAR09-150W-L-PC-3CCT-T3

| Brand | Wattage W | Input Voltage L or H | Lighting Distribution | Photocell | CCT & Wattage Selectable |
|------------------------------|----------------------|--------------------------------|--|--|---|
| LED Lighting LDAR09Series | 100W 300W 500W | L= 120-277Vac H= 277-480Vac | T3 = Type III T4 = Type IV T5 = Type V | PC - Photo Cell Blank - No Photocell | Power & CCT selectable "3CCT" can be any alphanumeric for CCT, 3000K/4000K/5000K |

DETAIL



DIMENSIONS



Emergency Battery Backup



Sensor

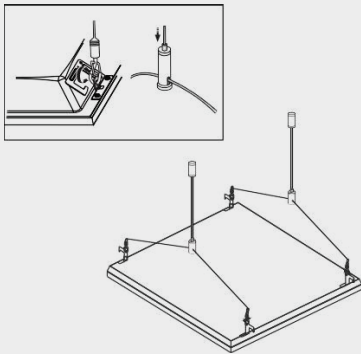


Remote Control

ACCESSORIES (SOLD SEPARATELY)

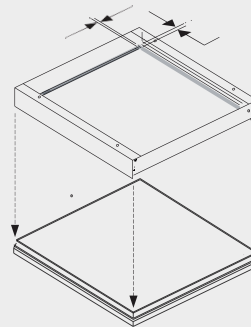
Cable Mount Kit

Optional Y cable mounting kit allows for suspended installations from any ceiling type. (2 pcs/kit)

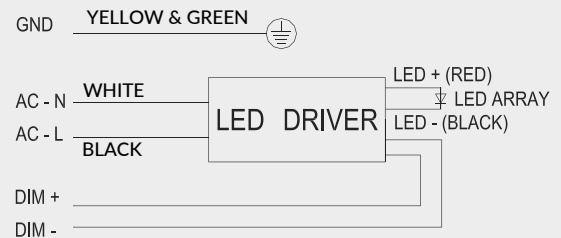
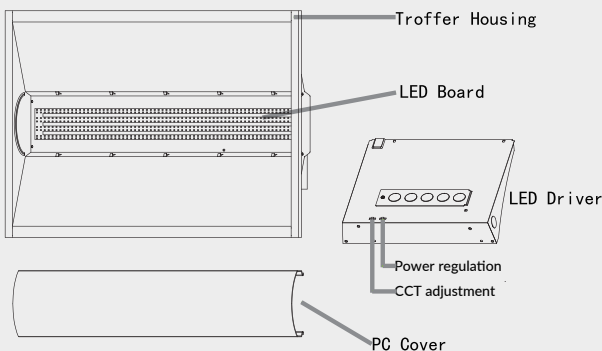


Surface Mount Kit

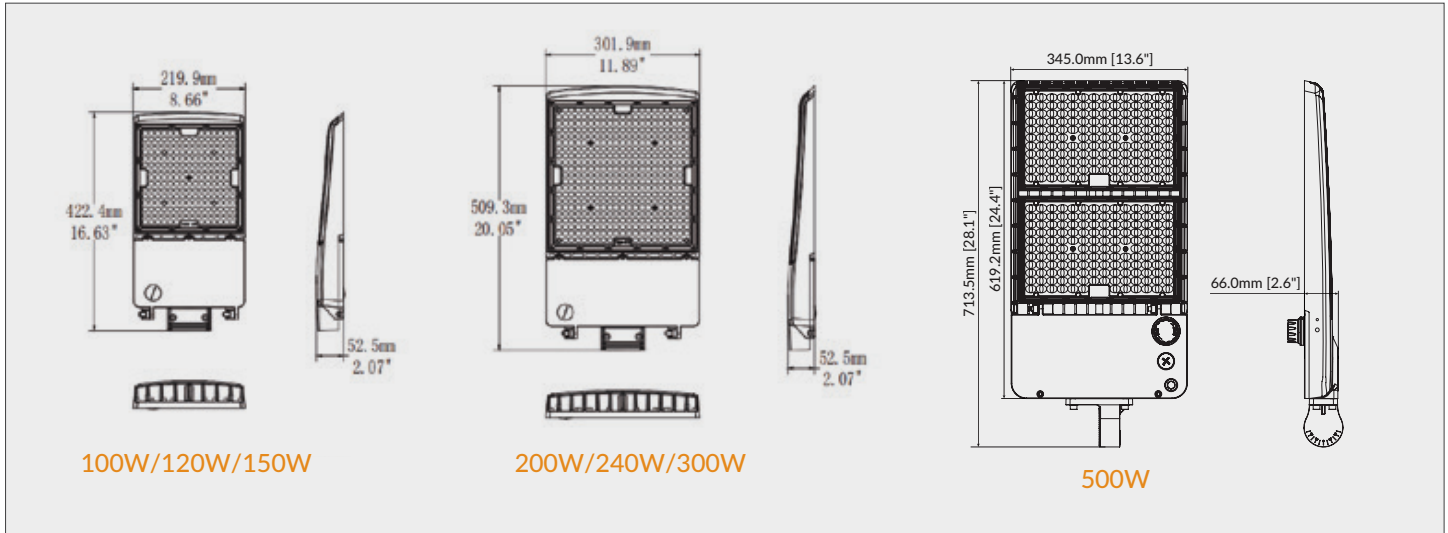
Optional surface mount kit allows for installation on plaster or other hard ceilings.



MOUNTING BRACKET



PHOTOMETRICS



PACKING INFORMATION

