

## FEATURES & SPECIFICATIONS

### CONSTRUCTION

- UV stabilized, one-piece polycarbonate lens.
- Housing: Die-cast Aluminum
- Finish Colors: White

### ELECTRICAL

- Working voltage 120-277V 50/60Hz
- Operating Temperature Range: -40°F~+113°F
- Storage temperature : -40°F~+158°F

### PERFORMANCE

- Uses professional optical technology to obtain 130 lumens per watt and project light down in a wide projection.
- Life Time >50,000Hrs
- Fixture is designed for better cooling with larger size, aluminum Heat Sink to ensure long life performance.

### INSTALLATION

- Integrated driver, easy to install and operate.
- Ideal for lighting a car port, gas station, driveway canopy, gym, garage or any other high baylighting locations.

### LISTING

- ETL & DLC listed.

### WARRANTY

- 5 year warranty.

### SPECS AT A GLANCE\*

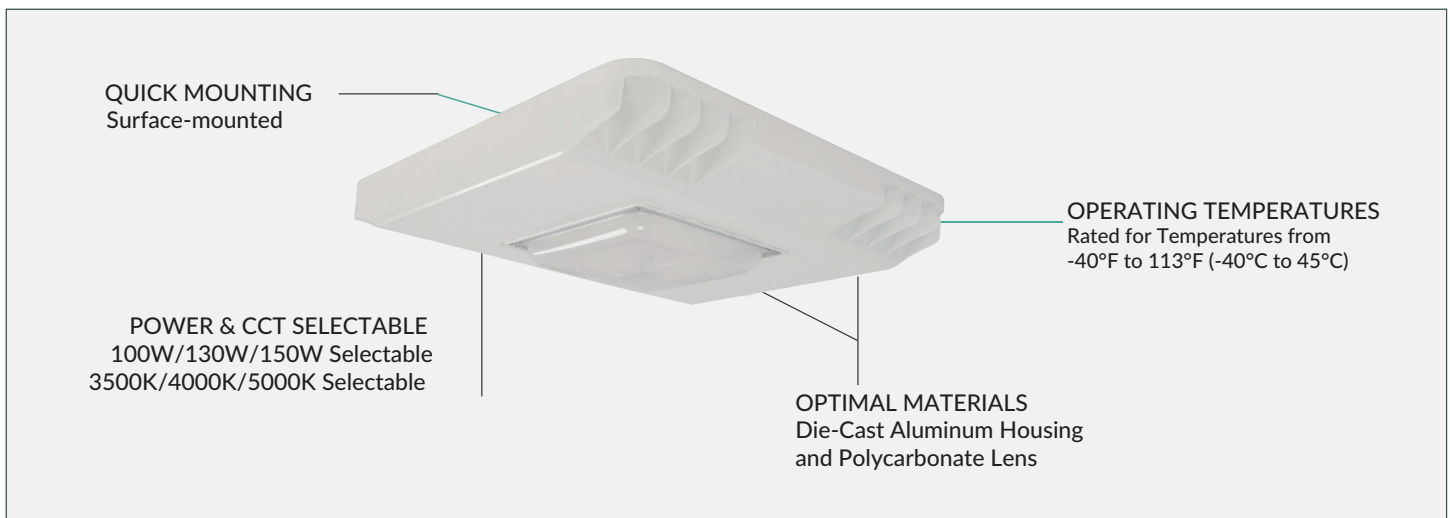
Configuration	LD-TCP1515-150W-C-H-TCP
CCT (K)	3500/4000K/5000K Color Tunable
Efficacy (LPW)	Up to 130lm/w
Wattage (W)	150W-130W-100W wattage adjustable
Lumens (lm)	150W= 15900 lumens 130W= 16900 lumens 100W= 13000 lumens
Driver Brand	Sosen
Lifespan	≥50000H
CRI	Ra≥80
Input Voltage	120-277Vac
Operating Temp	Working temperature: -40°F~+113°F Storage temperature: -40°F~+113°F
Certifications	ETL&DLC 5.1 premium
Warranty	5-year limited warranty

\* Nominal Wattage (Switchable)

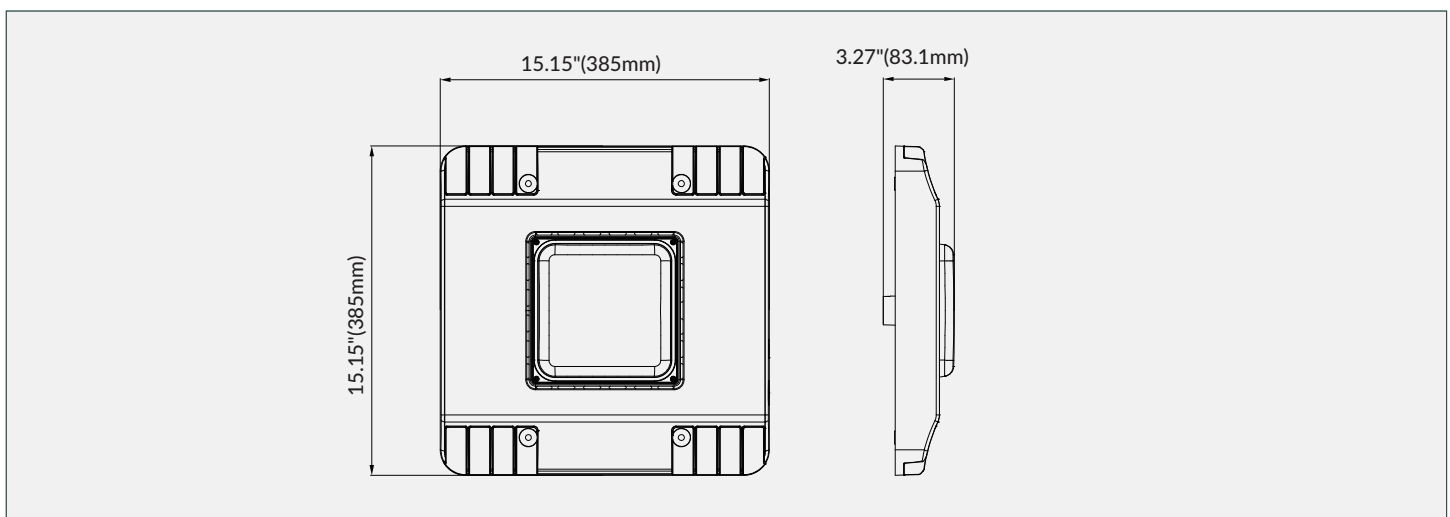
## ORDERING INFORMATION

Model	Description
LD-TCP1515-150W-C-H-TCP	Canopy , Power Switchable 150W/130W/100W, Color Switchable 3500/4000K/5000K 120-277Vac

## DETAIL



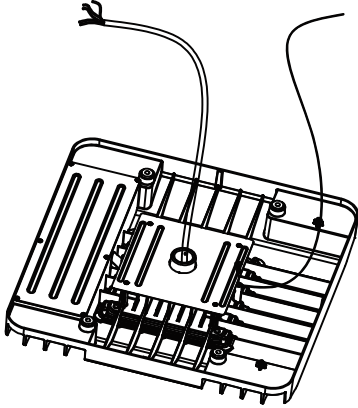
## DIMENSIONS



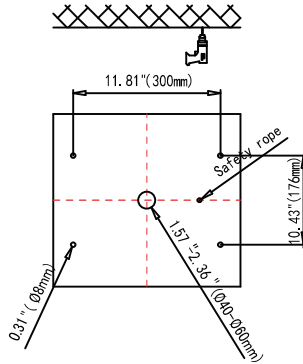
## INSTALLATION

### Installation method: Ceiling Installation

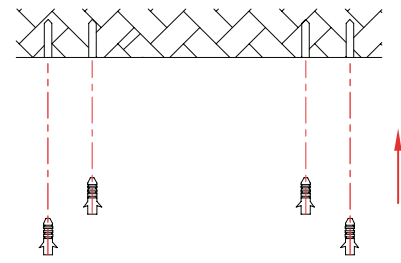
1. Fix the safety rope on the back of fixture by supplied screw PWM4\*8



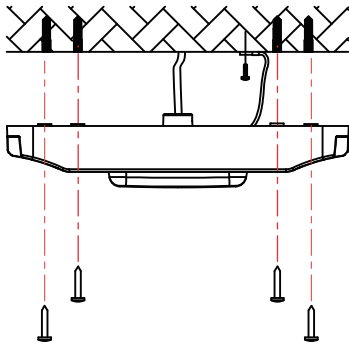
2. Drill 5 holes on the ceiling based on the diameter of supplied plastic anchor as picture, to make them match the holes on the fixture.



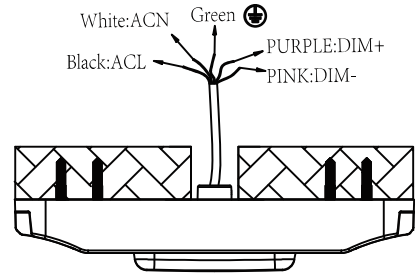
3. Screw the anchors to holes on ceiling respectively.



4. Screw the safety rope. And fix the fixture to the ceiling with tapping screws.



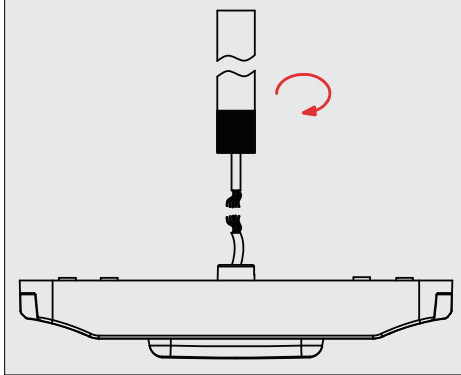
5. Connecting the wires respectively:  
Black-L, White-N, Green-earth, PURPLE: DIM+, PINK: DIM-



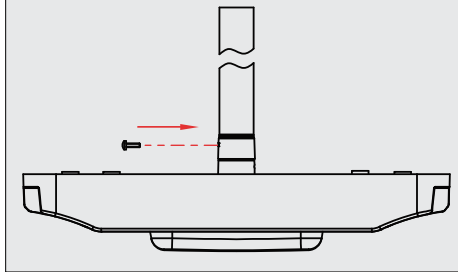
## INSTALLATION

Installation method: Pole-pendent Installation

1. Connecting wires from fixture and 3/4"NPT thread with terminal caps as pictured



2. Rotating the 3/4" NPT thread to make it fixed with lamp, and fix the NPT with supplied screw



## APPLICATIONS



## PACKING INFORMATION

Model	Outer Carton Size (L×W×H)	QTY/ctn	G.W./pcs	Remark
LD-TCP1515-150W-C-H-TCP	440*445*112mm (17.33**17.52**4.41")	1	4.35kg (9.59lbs)	1m Cable