



FEATURES & SPECIFICATIONS

CONSTRUCTION

- Light direction is selectable from Down only, Up only or both Down & Up lights.
- Five lighting distribution ways switchable: Up 100%+Down 0%, Up 70%+Down 30%, Up 50%+Down 50%, Up 30%+Down 70%, Up 0%+Down 100%
- Control CCT of down or uplight individually, Switch from 3500K, 4000K & 5000K.
- Sensor and emergency battery backup are available.

ELECTRICAL

- Working voltage 120-277V
- 0-10V dimming standard for a dimming range of 100% to 0%.
- Operating Temperature Range: -20°C to +45°C (-4°F - + 113°F).
- Note: Operating with emergency battery temperature range: 5°C to 45°C (+41°F - + 113°F).

APPLICATIONS

- Commercial area, residential area, convention center, office, lobby hospital, showroom, hotel.

INSTALLATION

- Pendant mounting, surface mounting and wall mounting standard. Linkable mounting: 15pcs MAX unique end cap simplifies installa seamless continuous runs or individuals.

LISTING

- UL listed.
- Design Lights Consortium®(DLC)Premium

WARRANTY

- 5-year limited warranty

SPECS AT A GLANCE

Configuration	LDDB77E-4-50W- A5C3
CCT (K)	UP 3500K 4000K 5000K Tunable DOWN 3500K 4000K 5000K Tunable
Wattage (W)*	50/35/25/15W adjustable
Lumens (lm)	50W=6500lumens 35W=4550lumens 25W=3250lumens 15W=1950lumens
Efficacy (LPW)	130lm/W
Size	4FT
CRI	>80
Input Voltage	AC120-277V
Operating Temp	-20°C-45°C
Certifications	UL&DLC 5.1 Premium
Warranty	5-year limited warranty

*Nominal Wattage (Switchable)

DIMENSIONS

Model	Description
LDDB77E-4-50W- A5C3	4FT linear strip light, Power Switchable 50W/35W/25W/15W, Color Switchable 3500K/4000K/5000K 120-277VAC

DETAIL

Color Temperature & Light Distribution Field Adjustable Controls

CCT Switchable
3500/4000/5000K

Uplight Downlight

Adjustable Light Distribution

- ① UP: 100% & DOWN: 0%
- ② UP: 70% & DOWN: 30%
- ③ UP: 50% & DOWN: 50%
- ④ UP: 30% & DOWN: 70%
- ⑤ UP: 0% & DOWN: 100%

FINISH OPTIONS:

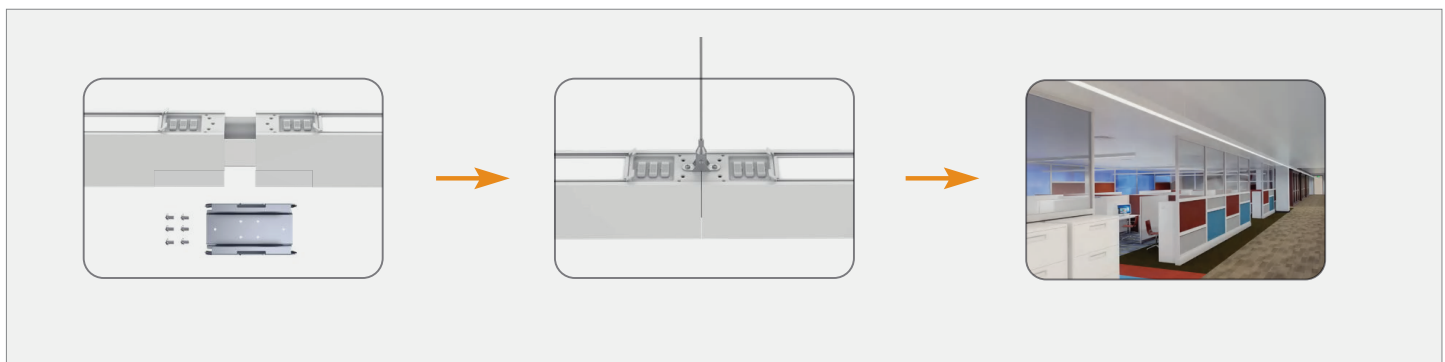
- White
- Black

White

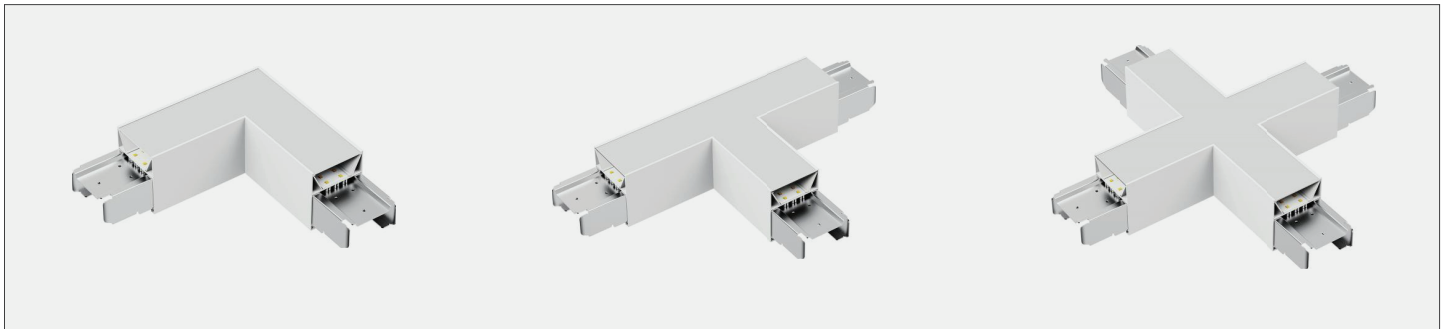
Black

Pendant (Up&down) Pendant (Up) Pendant (Down) Surface mounted Recessed Wall mounted (Up&down) Wall mounted (Up) Wall mounted (Down)

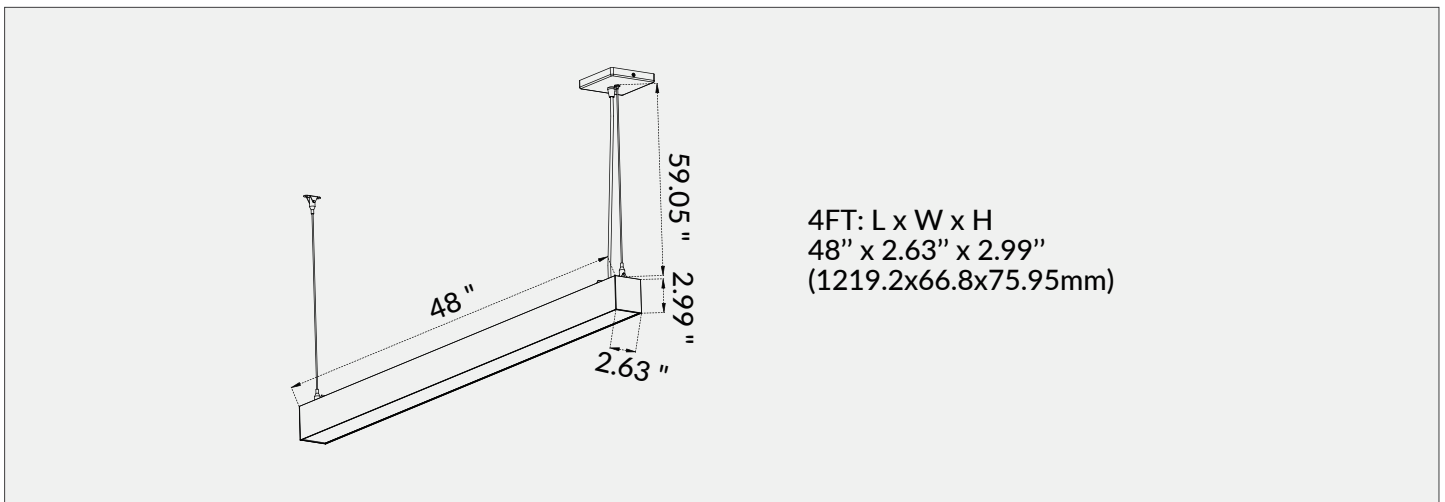
Seamless continuous connection easily



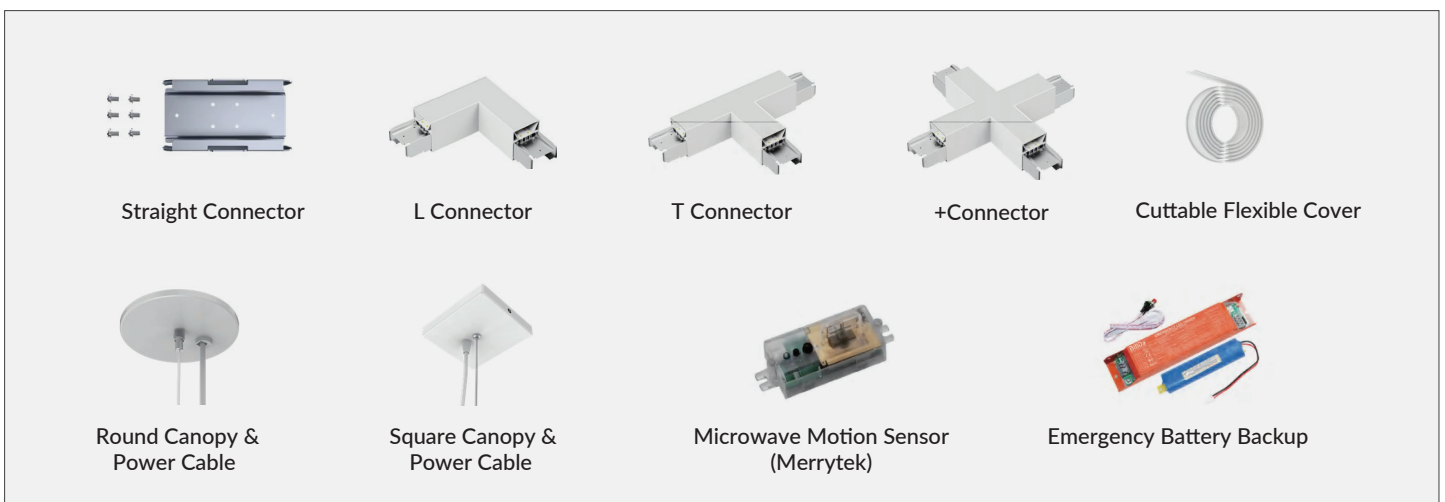
Link Pattern



DIMENSIONS



ACCESSORIES (sold separately)



INSTALLATION INSTRUCTIONS

Suspension installation with square surface plate.

1

Press to adjust the length of the suspension wire

2

Choose the light distribution and color temperature of the upper and down lights

or

Single CCT and single power, not available to select

3

4

7. Take the PC cover and install it on one end of the

5

Plastic clips on ends

Insert the wire rope into the metal fixator

6

Sensor Connector

±10mm

COMPLETED

SPEC	A
2FT	566mm
4FT	1175mm
8FT	2394mm

Suspension installation with square surface plate.

1

Press to adjust the length of the suspension wire

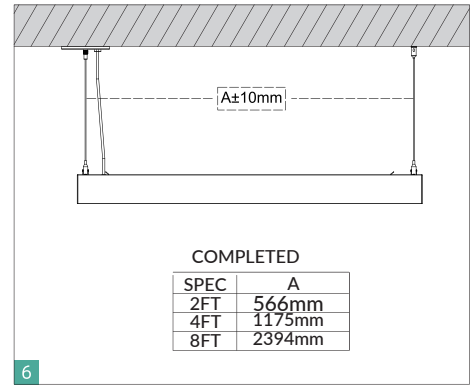
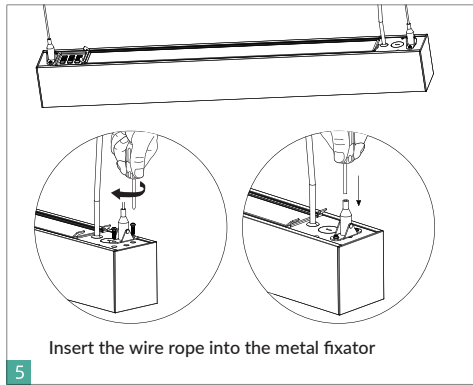
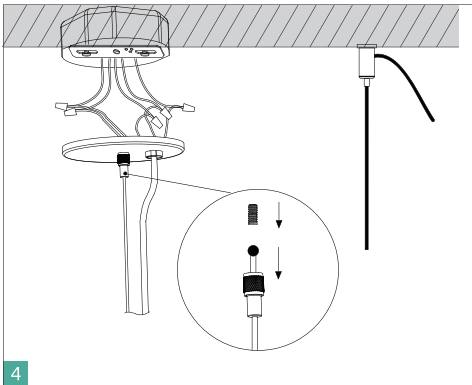
2

Choose the light distribution and color temperature of the upper and down lights

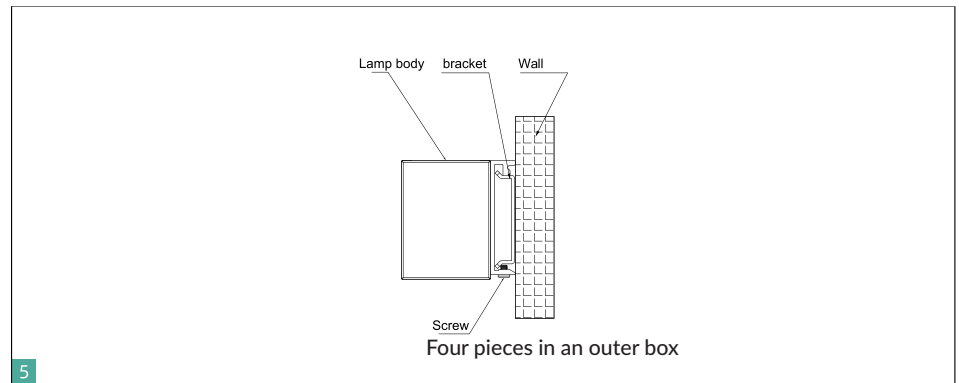
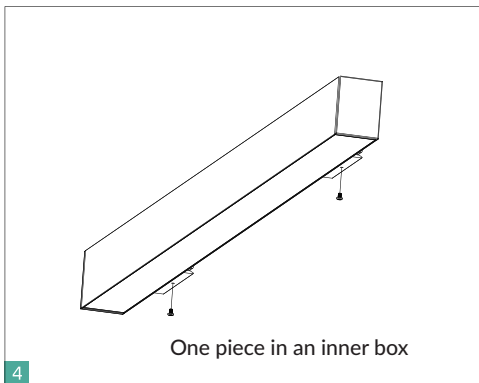
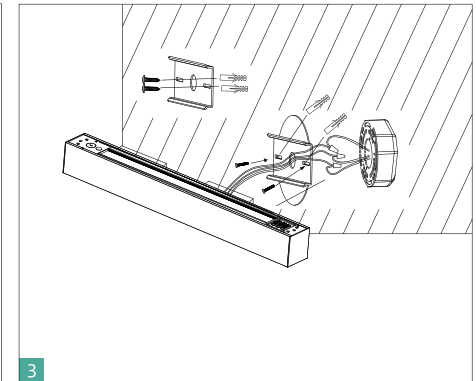
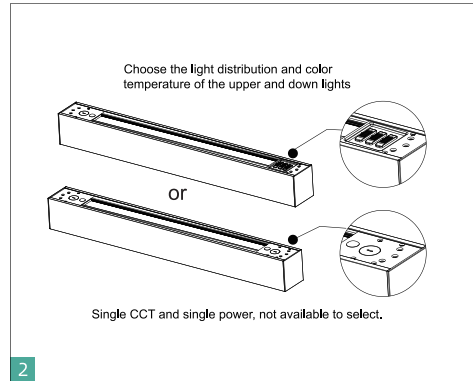
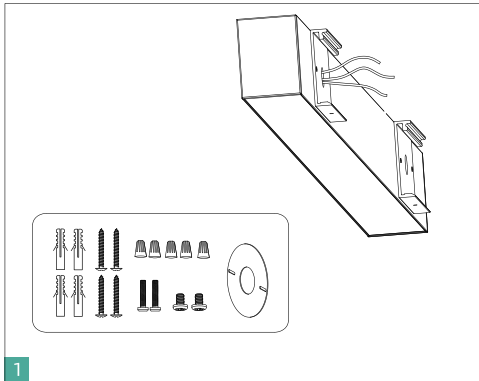
or

Single CCT and single power, not available to select

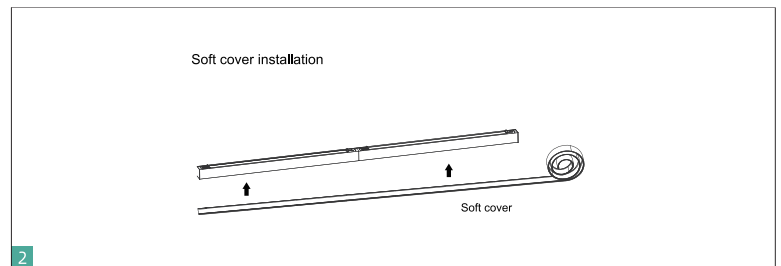
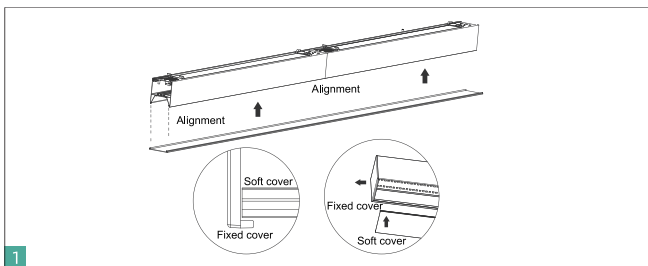
3



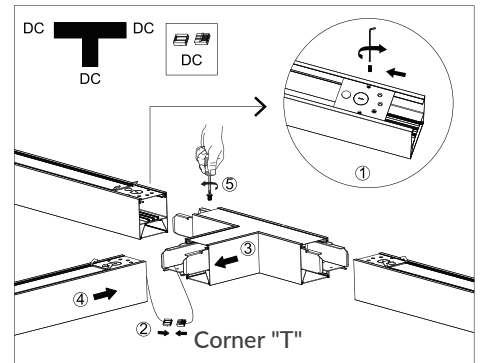
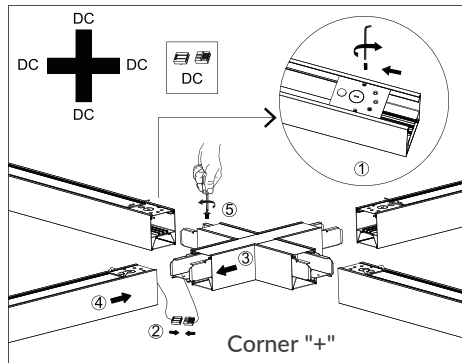
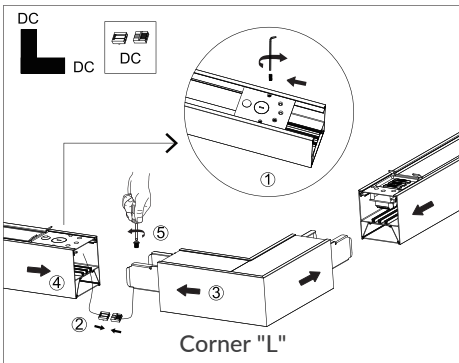
Wall mounted installation



Cover installation



Link Pattern



INSTALLATION INSTRUCTIONS

Model number	L /inch	W /inch	H /inch	QTY/ctn	G.W/lbs	CTN QTY/ pallet
Lddb77E-4-50W- A5C3	52.3	10.2	17.3	6	46.7	/