



## FEATURES & SPECIFICATIONS

### CONSTRUCTION

- Precision die-formed steel housing in a white finish
- Recessed design fits most standard T-bar grid ceilings
- 5 Wattage and 5 CCT switches located on driver junction box
- Large driver box for easy installation and wiring

### ELECTRICAL

- Input Voltage: 120-277Vac 50/60Hz
- 0-10V dimmable
- THD≤10%, PF≥0.95

### APPLICATIONS

- Offices, retail, schools, restaurants, residential etc.

### INSTALLATION

- Unit simply lifts through grid ceiling and rests on T-bars
- Easy installation in new construction or retro fit
- Standard recessed mounting in most 2' x 2' or 2' x 4' grid ceilings
- Earthquake clips included
- Easily set wattage and CCT during installation using the adjustment switches located on the driver box
- Use in ambient temperatures ranging from -20° C to 45° C

### LISTING

- ETL listed, suitable for damp location.
- DesignLights Consortium®(DLC) Premium.

### WARRANTY

- 5-year limited warranty

### SPECS AT A GLANCE

Configuration	LDEN-T2-S40-3065	LDEN-T4-S72-3065
CCT (K)	3000K-3500K-4000K-5000K -6500K(Switchable)	
Wattage (W)*	20W/25W/30W/35W/40W Wattage Adjustable	30W/40W/50W/60W/72W Wattage Adjustable
Lumens (lm)	2,500-5,200LM	3,750-9, 360 LM
Efficacy (LPW)	Up to 130	Up to 130
CRI	≥80	
Input Voltage	120-277VAC, 50/60Hz, 0-10V Dimmable	
Operating Temp	-20°C to 45°C	
Certifications	ETL DLC 5.1 Premium	
Warranty	5 Years	

\*Nominal Wattage (Switchable)

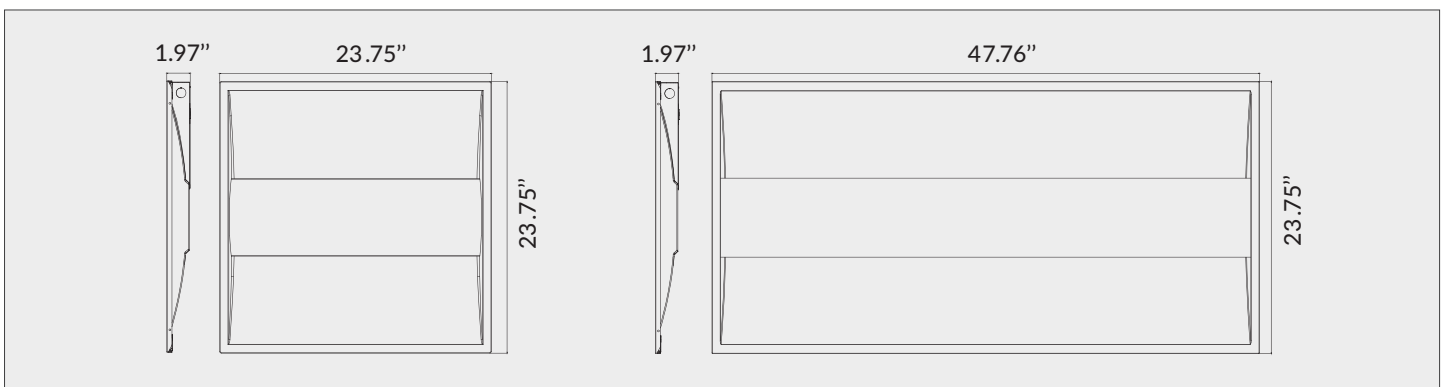
## ORDERING INFORMATION

Model	Description
LDEN-T2-S40-3050	2' x 2' LED Troffer, Power Switchable 20W/30W/40W, Color Switchable 3000K/4000K/5000K, 120-277VAC
LDEN-T4-S60-3050	2' x 4' LED Troffer, Power Switchable 40W/50W/60W, Color Switchable 3000K/4000K/5000K, 120-277VAC

## DETAIL



## DETAIL



## ACCESSORIES



Emergency Battery Backup



Sensor

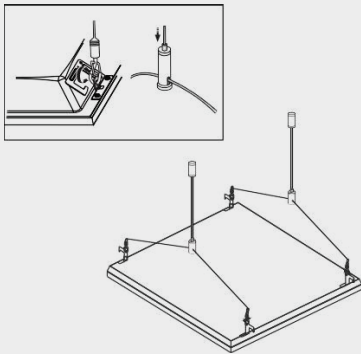


Remote Control

## FLEXIBLE INSTALLATION OPTIONS

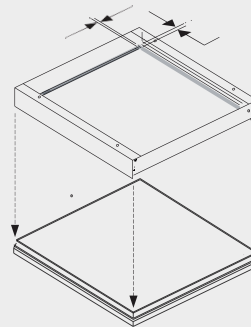
### Cable Mount Kit

Optional Y cable mounting kit allows for suspended installations from any ceiling type. (2 pcs/kit)

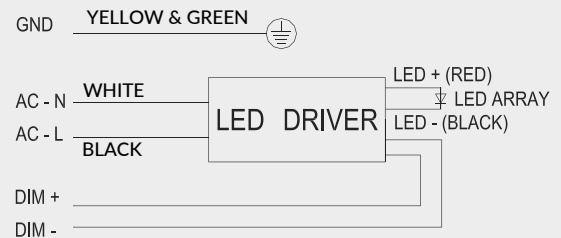
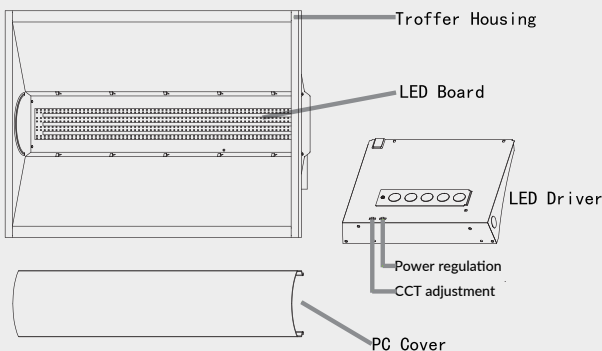


### Surface Mount Kit

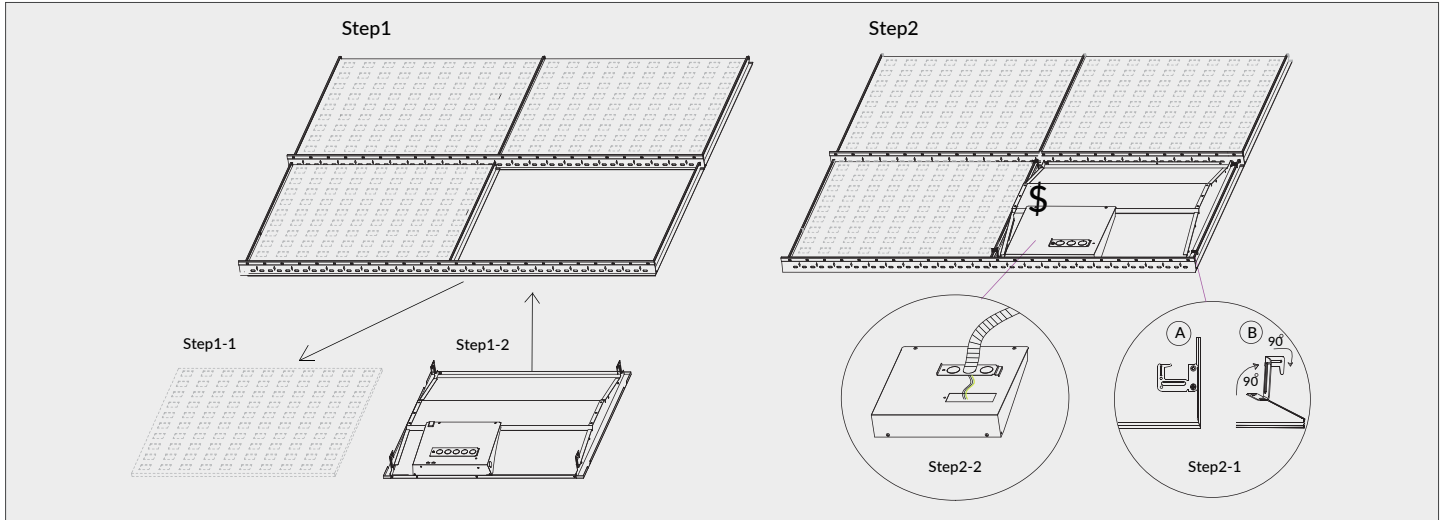
Optional surface mount kit allows for installation on plaster or other hard ceilings.



## WIRING DIAGRAM



## INSTALLATION INSTRUCTIONS



## PACKING INFORMATION

Size/ft	L /inch	W /inch	H /inch	QTY/ctn	G.W/lbs	CTN QTY/pallet
2x2'	25.6	10.3	25.2	4	19.9	96pcs
2x4'	49.2	10.3	25.2	4	42.1	48pcs