



FEATURES & SPECIFICATIONS



CONSTRUCTION

- Sensor base is available
- Easy to open the strip light for quick installation Non-Yellow PC Lens
- Seamless Electronic Linkable available
- 4FT and 8FT Options

ELECTRIC

- Input Voltage: 120-277vac
- 0-10v dimmable in standard configuration
- 3 Wattage and 3 CCT selectable
- High lumen efficient 130lm/W on average
- Sensor controls, emergency versions for options
- Wiring both on two ends and in the middle available

APPLICATIONS

- Offices, retail, schools, storage facilities restaurants, healthcare, residential, and hospitality applications

INSTALLATION

- Embedded and Suspended mounting listing

LISTING

- Comply with the requirements of the Standard (CAN/CSA-C22.2 No.250.0) and are identified with the cETL Listed Mark)Premium.

WARRANTY

- 5-year limited warranty

SPECS AT A GLANCE

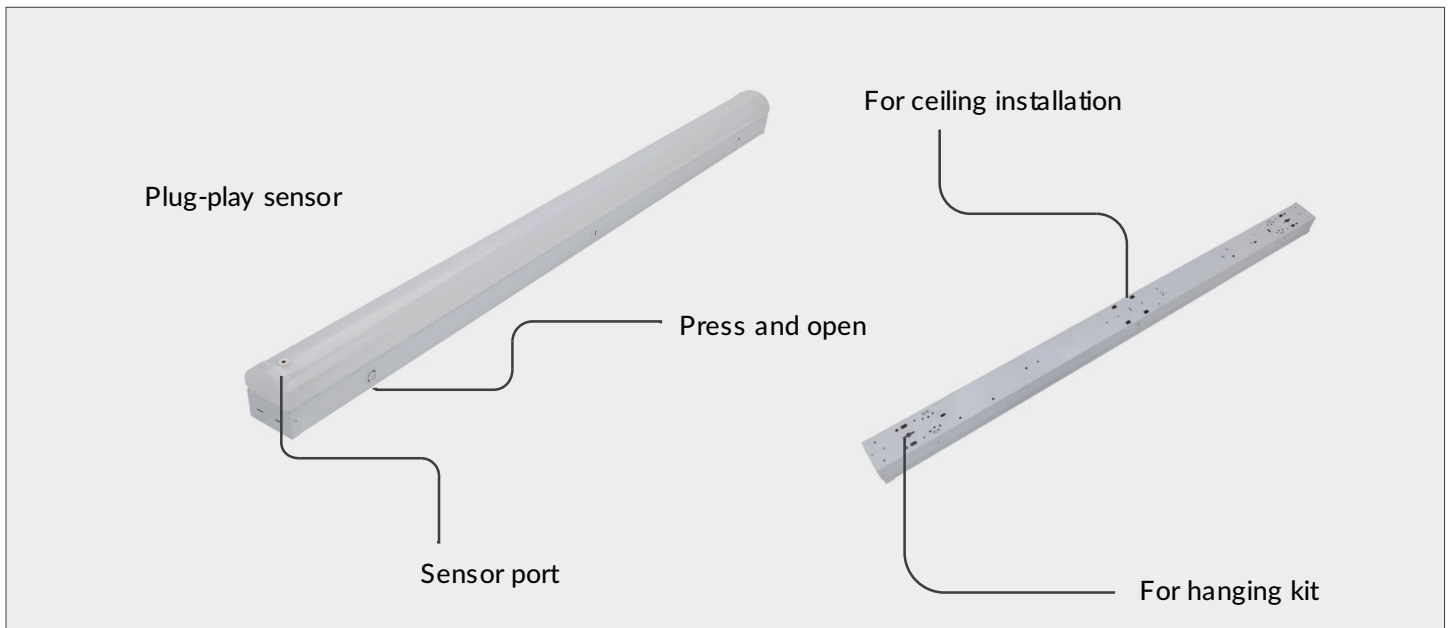
Configuration	LDST4F45MDNC	LDST8F-90MDNC
CCT (K)	3CCT Selectable: 3500K - 4000K - 5000K	
Wattage	20W/30W45W	70W/80W/90W
Size	4FT	8FT
Effacy (LPW)	>130lm/W	
CRI	>80	
Input Voltage	120 - 277V	
Operating Temp	-20 °C -45 °C	
Certifications	DLC 5.1 Premium	DLC 5.1 Standard
Warranty	5 year warranty	

*Nominal Wattage (Switchable)

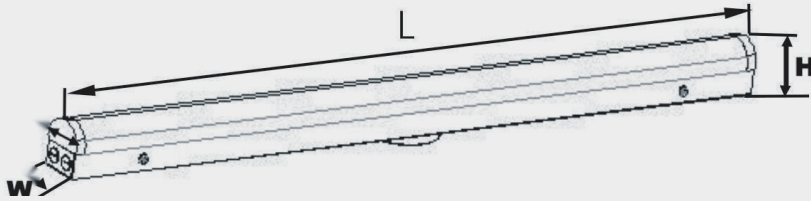
DIMENSIONS

ST	Size	Wattage	CCT	Motion Sensor & Emergency Backup	Input Voltage
LD-ST04	4F 4FT 8F 8FT	45 20W/30W/45W 90 70W/80W/90W	3500-4000-5000K CCT Selectable	M: Motion Sensor B: Emergency Backup N: Non-motion & emergency	120-277V

DETAIL



DIMENSIONS



L= Length	W= Width	H= Height
48"	2.95"	3.27"
96"	2.95"	3.27"

ACCESSORIES (sold separately)



Plug-in Microwave Sensor

- 4m/13.12Max installation height
- Detection distance is bigger 3m/9ft
- Detection angle is 30-150° (without glass cover)
- Remote control for setting detection area, hold time, daylight threshold, dimming level, standby period and daylight harvesting



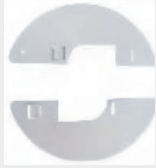
Linkable Connector

- Option accessories
- For continuous row installation
- White painting to prevent rust, and keep the same color with the strip fixtures.



Suspension

- For suspend the strip light
- Stainless steel material
- 5FT length is standard
- Option accessories



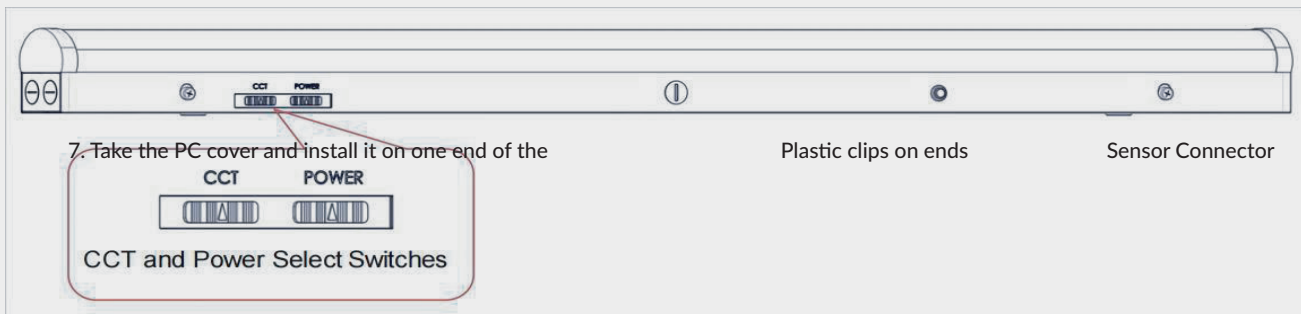
Junction Box Cover Plate

- To cover the ceiling hole while painting to prevent rust, and keep the same color strip fixture

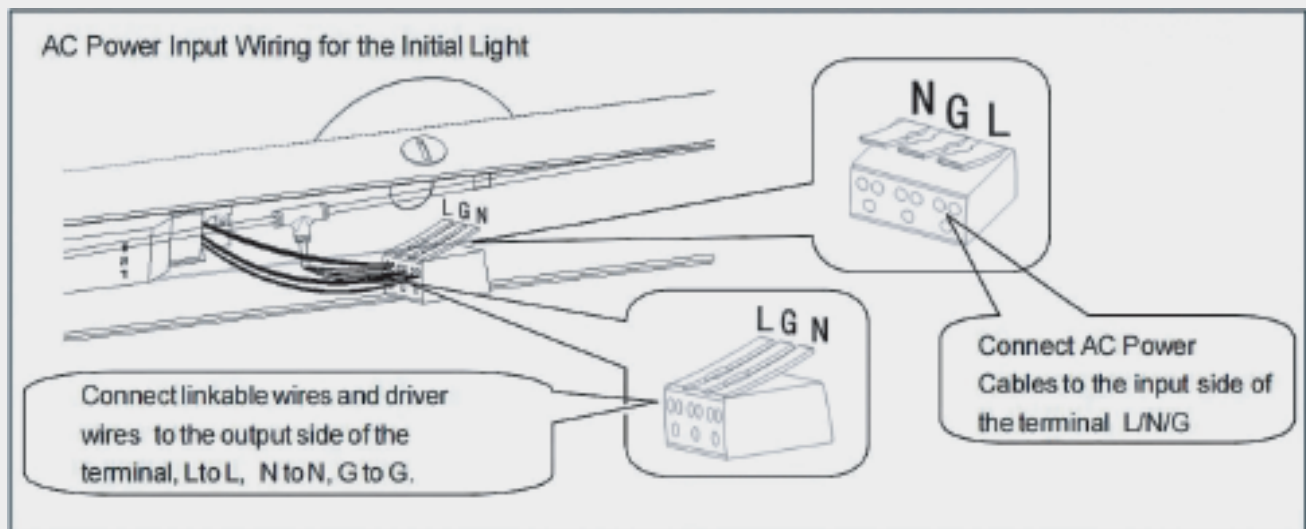
INSTALLATION

*

Slide the switches on the shell to select the desired CCT and wattage before installation

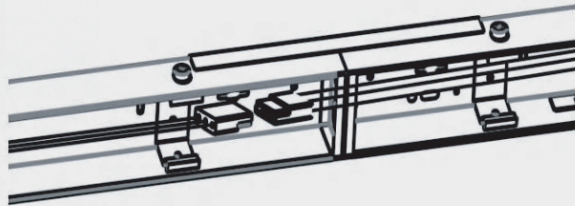


CAUTION: Turn off power before wiring fixture to the power supply



Ceiling Installation Instruction

Connection: Plug the male/female connector from the previous light to the female/male connector of the next light.

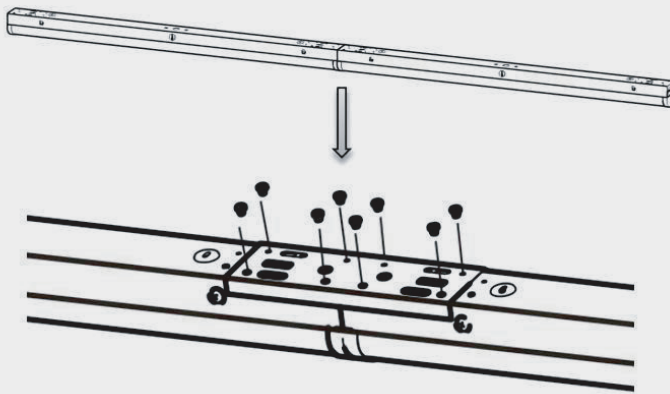


Caution:

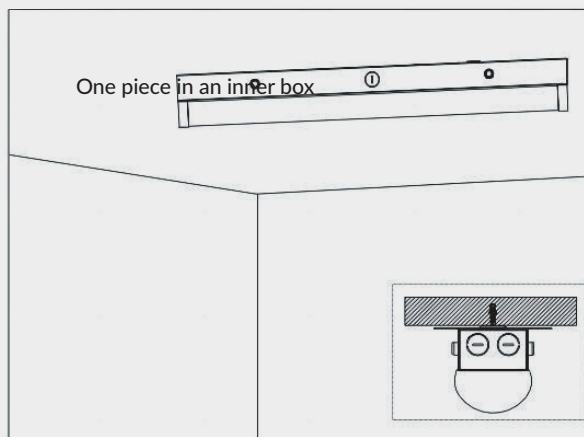
The Linear Strips can be connected
Max. 450W.

Max. Connection:
4FT: 10pcs
8FT: 5pcs

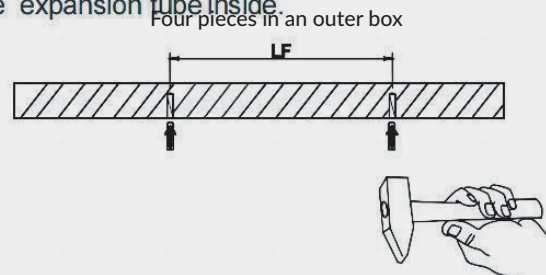
Use a link-able connector to connect two fixtures if row connection, keep the row connection is on the straight.



Ceiling Installation Instruction



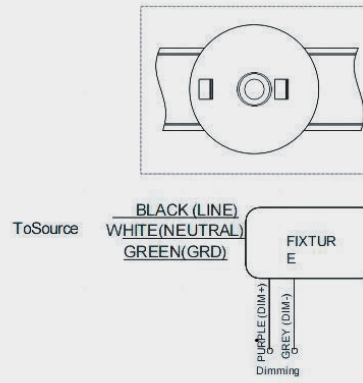
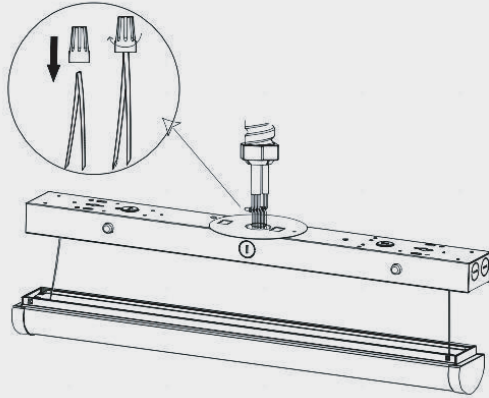
1. Punch a hole on the wall and put the expansion tube inside.



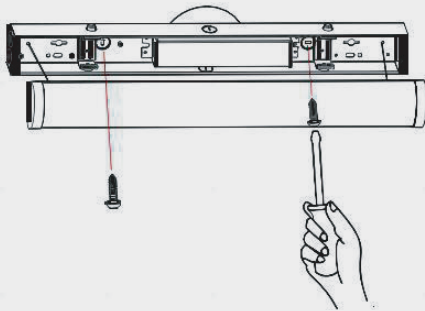
4FT: LF=36.22"

8FT: LF=83.38"

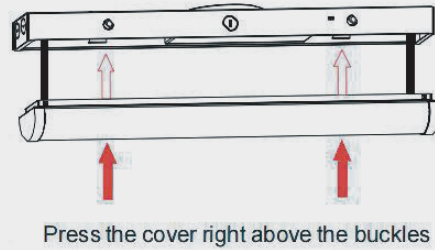
2. Make sure the power is off and wiring by using wire nuts.



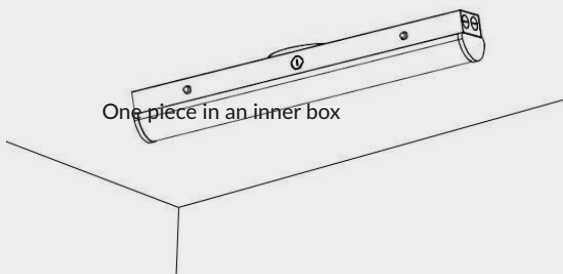
3. Secure the fixture on the wall and lock it in tight.



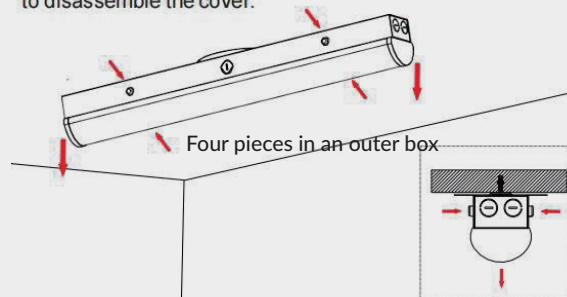
4. Press upward the cover and lock it with springs tightly which located into the fixture.



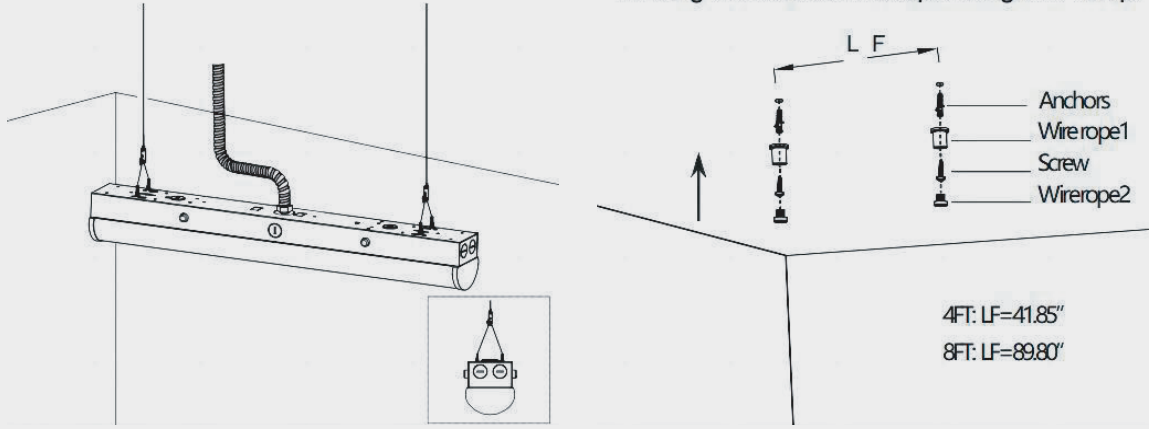
5. The installation completed.



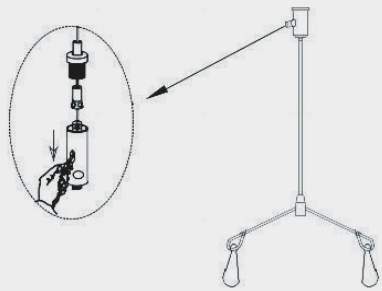
6. Press the buckle on both sides and remove, if you need to disassemble the cover.



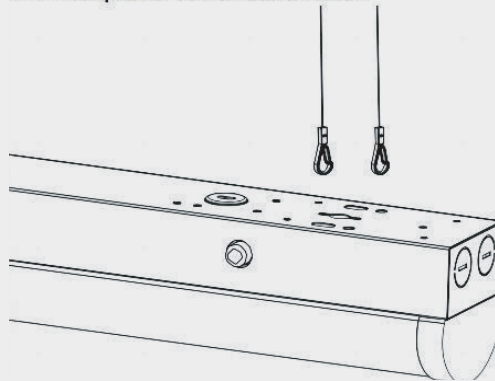
1. Fixing the hook and suspending the lamp.



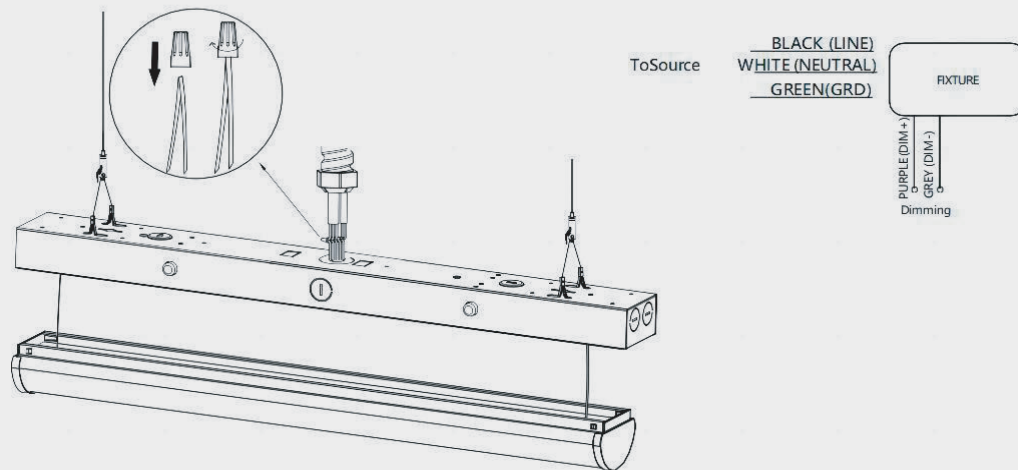
2. Adjusting the hanging rope length.



3. Adjusting the hanging rope making the LED Strip in a horizontal state.



4. Make sure the power is off and wiring by using wire nuts.



PACKING INFORMATION

Size	Packing Detail				
	L(cm /inch)	W(cm /inch)	H(cm /inch)	PC/CTN	GW(Kg)
4FT	128.5cm/50.6"	27cm/10.6"	20cm/7.9"	6PCS	12.5
8FT	251cm/98.8"	18.5cm/7.3"	20cm/7.9"	4PCS	15